



**Fillauer
Companies
Equipment
Tools and
Accessories**

SEPTEMBER 2010

FEATURING TRAUTMAN & PDQ

**FILLAUER COMPANIES
EQUIPMENT TOOLS & ACCESSORIES**

INDEX

Air Attachment for Floor Carver	13	Drill Press, RG50-2500	32
Alignment Fixture, Universal	38	Dry Blast, Sandblaster	32
Angled Accessory Holder for Floor Carver	13	Dual Oilless Vacuum Pump, Portable	25
AP-ML Gauge	47	Dust Collection Hose Kit for 2100L	12
Arbor 5001	6	Dust Collector for Bench Carver	12
Arbor Replacement Parts	6	Dust Collector for Floor Carver	12
Band Saw, Wood and Metal	33	Dust Collector [Portable]	12
Band Saw, Variable Speed	33	Eddy Heat Gun	44
Ballnose Cylinder Cutters	20	Electronic Scale	52
Bandage Scissors	46	Felt Arbor	16
Bar Contouring Device	37	Flame Cutter	21
Bench Carver	10	Floor Carver	8
Bench Carver Floor Stand	10,11	Floor Carver Replacement Parts	9
Bench Carver Replacement Parts	10,11	Floor Carver, Variable Speed	9
Bench Carver, Variable Speed	11	Foot Switch for Floor or Bench Carver	13
Bending Irons	38	Frame, Bubble Forming	30
Bubble Forming Frame	31	Glove Donner	40
Cable Swaging Tool	41	Goniometer	50
Carbide Coatings	20	Grinding Rasps, 5/8" thread	18
Cast Cutter, Pneumatic	48	Heat Tools	41,44
Cast Cutter, Stryker	48	Heavy Duty Scissors, for Comfil® TFC	52
Casting Fixture Gauge	50	Hex Key	42
Cast Mandrels	48	Hex Screwdriver	42
Cast Spreaders	49	Holding Frames	24
Coneiak Polishing Arbors	17	'Hot Knife' Thermocutter	44
Contouring Fork and Bench Receptacle	37	Infrared Oven Accessories	30,31
Contouring Irons	38	Infrared Oven, BT-1 (Benchtop) Model	27
Cutters	17	Infrared Oven, BT-4 (Benchtop) Model	28
Cutting Tool	46	Infrared Oven, PO-2 Model	29
Cutting Tool for 30mm Carbon Fiber Tube	41	Infrared Oven, Rollabout Tray Models	26
Cylinder Cutters	20	Infrared Oven, 8D-2 Double Rollabout Model	27
Deburring Tool	46	Joint Alignment Tool	38
Double Drum Sander 5005	7	Laminating Fixture LJ-100	34
Double Drum Sander Replacement Parts	7	Length Gauges	47
Dove Tail Cutters	21	Mamco Heat Gun	43
Drape Forming Adapter	23,51	Mamco Heating Element	43
Drill Attachment	20	Measuring Tapes and Rulers	49
Drill Holder Assembly	49	Mite Heat Gun	43
Drill Press Fixture	39	Mite Heat Gun Adapters	43

INDEX

Mite Heating Element Nozzles	43	Slimknife™	45
ML Gauge and AP ML Gauge	47	Soft Foam Shaper	18
Mobile Vacuum Unit	23	Sphere Cutter	21
Mold Library	30	Spike Cutter Tool Kit	22
Oilless Vacuum Pump, Portable	24	Spring Clamps	40
Oven Fan Kit	31	Steinel Heat Gun	44
Oven Gloves	52	Stirrup Bender	37
Pipe Holding Fixture	39	Surform™ Files	50
Plastic Rack	30	Surgical Scalpel	45
Platen	52	Surgical Tubing	34
Polishing Arbors (Coneiak)	17	Tapered Cutters	22
Polishing Arbor	18	Tapered Felt Arbor/Core	15
Portable Vacuum	23	Comfil® TFC Heavy Duty Scissors	52
Post-Op Adapter Assembly Component Parts	34	Thermal Gloves	52
Prosthetic Bench Vise	39	Thermocutter "Hot Knife"	44
PVA Bag Pattern, Adjustable	51	Torque Screwdriver	42
PVA Electric Sealer	43	Torque Wrench	42
Revolving Punch	40	Transfemoral Length Gauge	47
Rivet Bar	40	Transtibial Length Gauge	47
Rotor Saw Cutters	21	Tube Cutter	46
Rounded Blade Spatula	51	Universal AP-ML Gauge	47
Router Adapter	17	Urethane Arbor	16
Rubber Mixing Bowl	51	Utility Knives	45
Rubber Sand Cores	15	Vacuum Control Assembly	23
Sand Cones	6,7,14	Vacuum Pump, Portable	24
Sand Cones, for Rubber Sand Cores	15	Vacuum Station, Dual Bladder	25
Sand Cones, for Tapered Felt Arbors	16	Vacuum Station, Single Bladder	25
Sand Cores Rubber	15	Vacuum Station Accessories	25
Sand Discs	6,14	Variable Speed Band Saw 8201VS	33
Sand Drum Sleeves, Pneumatic	6,7,14	Variable Speed Floor Carver	9
Sand Drum Replacement Parts	14	Variable Speed Bench Carver	11
Sand Drums for Floor or Bench Carvers	14	Vertical Fabricating Fixture (VFJ-100)	35
Sand Sheets	14	Vertical Fabrication Fixture, Universal	36
Sandblaster, Dry Blast	32	Vertical Swivel Module	36
Sanding Sleeve and Mandrel	22	Wire Spring Type Clamp	41
Sanding Sleeves, Pneumatic	14	Wood and Metal Band Saw 8201K	33
Scarpas Knife	45	Wrenches	42
Scissors, Heavy Duty for Comfil® TFC	52	Yates Clamp	41
Shaft Foam Arbors	14		

Trautman™

Arbor 5001

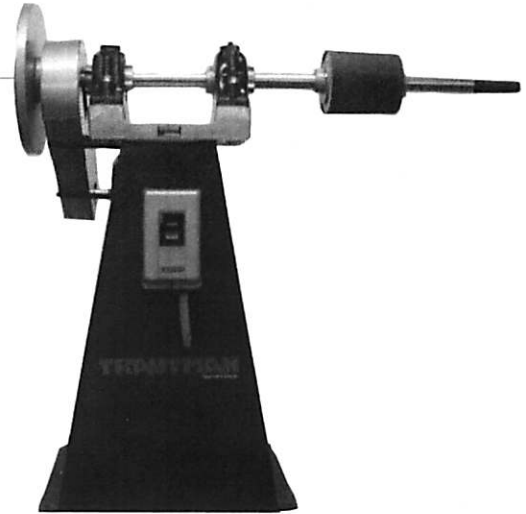
FILLAUER

The 5001 Trautman Arbor has powerful Baldor 2 HP, 1725 RPM, 60 HZ, 1 phase 115/230 VAC or 230/460 VAC motor. The Trautman Arbor comes with industrial motor control, dual drive belts with safety guard. Also, a 14" disc, 8" Pneumatic Sanding Drum and 1/2 - 13 threaded end to accept Trautman accessories. The total width is 47". Base is 25" x 20" and shipping weight is 550lbs.

- Dual drive belts
- Industrial motor control
- Convenient sanding positions for greater work capacity
- 2 horse power, Baldor motor
- 1725 rpm @ 60Hz

- 5001-1 Trautman Arbor, *Single Phase, 60Hz, 115 or 230 VAC*
 5001-1-50 Trautman Arbor, *Single Phase, 50Hz, 115 or 230 VAC**
 5001-3 Trautman Arbor, *Three Phase, 60Hz, 230 or 460 VAC*
 5001-3-50 Trautman Arbor, *Three Phase, 50Hz, 230 or 460 VAC**

**Shipping/Handling Surcharges Apply for International Shipments*



Sand Cones and Discs

FILLAUER

- S24 Sand Cone-24 GRIT
 S50 Sand Cone-50 GRIT
 S120 Sand Cone-120 GRIT
 S180 Sand Cone-180 GRIT
 S240 Sand Cone-240 GRIT
 A24 Sand Disc-24 GRIT

Sand Drum Sleeves, Pneumatic

FILLAUER

- 225247 Sand Drum Sleeve Fine-120 GRIT
 225248 Sand Drum Sleeve Fine-100 GRIT
 225249 Sand Drum Sleeve Coarse-36 GRIT

Arbor Replacement Parts

FILLAUER

- R5000BE Bearing for Arbor/Expansion
 R5000B Bearing for Arbor/Non-Expansion
 390850 Pneumatic Drum
 390855 Pneumatic Drum Bladder Kit
 390856 Pneumatic Drum Bladder Only
 390857 Canvas for Pneumatic Bladder
 390858 Rubber Adhesive for Pneumatic Bladder
 390859 Value Stem for Pneumatic Drum

Double Drum Sander 5005

FILLAUER

The Trautman 5005 DD Sander comes with same motor, motor control, dual drive belts with guard and base as 5001 Arbor. This machine has two 8" Pneumatic Sanding Drums. The total width is 45".

- Dual drive belts
- Industrial motor control
- Convenient sanding positions for greater work capacity
- 2 horse power, Baldor motor
- 1725 rpm @ 60Hz

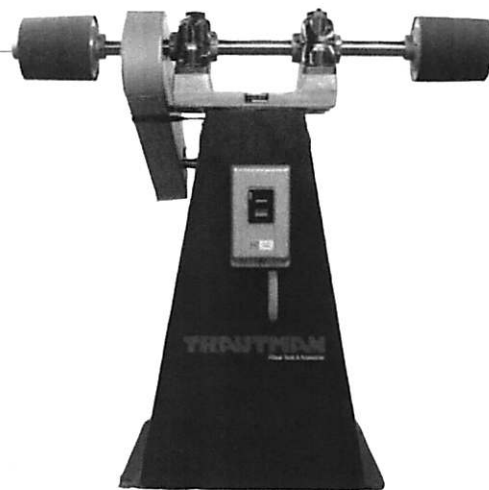
5005-1 Trautman Double Drum Sander, *Single Phase*, 60Hz, 115 or 230 VAC

5005-1-50 Trautman Double Drum Sander, *Single Phase*, 50Hz, 115 or 230 VAC*

5005-3 Trautman Double Drum Sander, *Three Phase*, 60Hz, 230 or 460 VAC

5005-3-50 Trautman Double Drum Sander, *Three Phase*, 50Hz, 230 or 460 VAC*

**Shipping/Handling Surcharges Apply for International Shipments*



Note: Must Specify Voltage Requirement

Sand Cones

FILLAUER

- S24** Sand Cone-24 GRIT
S50 Sand Cone-50 GRIT
S120 Sand Cone-120 GRIT
S180 Sand Cone-180 GRIT
S240 Sand Cone-240 GRIT

Sand Drum Sleeves, Pneumatic

FILLAUER

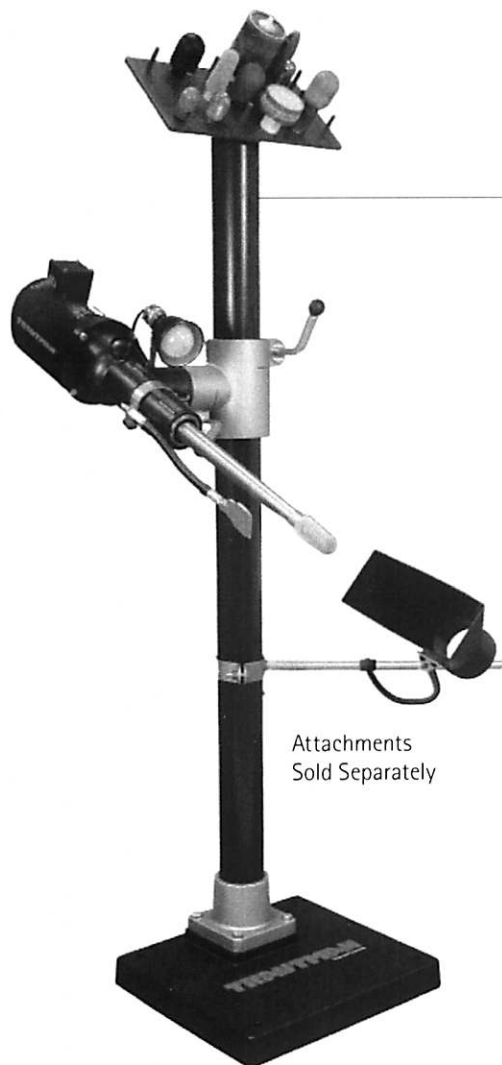
- 225247** Sand Drum Sleeve Fine-120 GRIT
225248 Sand Drum Sleeve Fine-100 GRIT
225249 Sand Drum Sleeve Coarse-36 GRIT

Drum Sander Replacement Parts

FILLAUER

- R5000BE** Bearing for Arbor/Expansion
R5000B Bearing for Arbor/Non-Expansion
390850 Pneumatic Drum
390855 Pneumatic Drum Bladder Kit
390856 Pneumatic Drum Bladder Only
390857 Canvas for Pneumatic Bladder
390858 Rubber Adhesive for Pneumatic Bladder
390859 Value Stem for Pneumatic Drum

TrautmanTM



Floor Carver

FILLAUER

- Low maintenance
- No brushes to change
- Pre-lubricated and sealed bearings for extended bearing life
- Durable 1/2 HP Baldor® Motor
- Motor is thermally protected to prevent damage from overheating
- Pre-attached 40 watt work light (not available on 50Hz machines)
- Adjustable height to be set for a wide range of workers and applications
- Heavy duty base for stability
- Uses 1/2"-13 threaded accessories (5/8" threaded accessories may be used with Trautman Router Adapter, p/n 225029)
- Requires 115V, 60Hz electrical input (230V, 50Hz input available upon request)

2100/60 Trautman Floor Carver, *Single Speed*, 60Hz, 115 V

2100/50 Trautman Floor Carver, *Single Speed*, 50Hz, 220 V*

2200/60 Trautman Floor Carver, *Dual Speed*, 60Hz, 115 V

390900 Anchor Bolt System

**Shipping/Handling Surcharges Apply for International Shipments*

Floor Carver Replacement Parts

FILLAUER

R2000B	Bearing
R2000M-1	Motor, 1/2HP Single Speed, 2100/60 Carver
R2000M-1/50	Motor, 1/2HP Single Speed, 2100/50 Carver
R2000M-2	Motor, 1/2HP Dual Speed, 2200/60 Carver
R2000M-3	Motor, 3/4HP Variable Speed, 2300/60 Carver
R2000P-1	On-Off Power Switch, <i>Single Speed</i> , 2100/60
R2000P-2	On-Off Power Switch, <i>Dual Speed</i> , 2200/60
R2000C	Coupler for Trautman Carver
R2000L	Lamp Assembly
R2000R	Retaining Ring (<i>Replaces the Spirolox</i>)
R2000S	Shaft
R2000T	Tension Handle
390870	Trautman Bearing Installation Kit - \$129.99

Floor Carver, Variable Speed

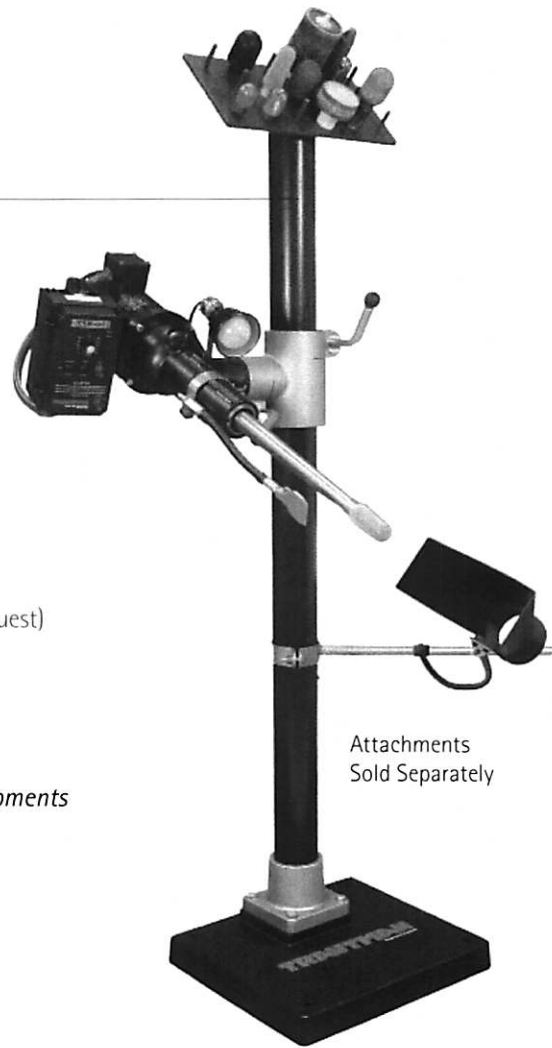
FILLAUER

- Precise speed control for best results possible
- Various speed range from 1380-3450rpm
- Heavy duty 3/4 HP Baldor® motor and controller
- Brushless motor for low maintenance
- Motor is thermally protected to prevent damage from overheating
- Factory lubricated and sealed bearings for long-lasting use
- Pre-attached 40 watt work light (not available on 50Hz machines)
- Fully adjustable height and tilt can be set for a wide range of workers and applications
- Torque overload set at factory to reduce the risk of injury
- Heavy duty base for stability
- Requires 115V, 60Hz electrical input (230V, 50Hz input available upon request)

2300/60 Trautman Floor Carver, Variable Speed, 60Hz, 115 V

2300/50 Trautman Floor Carver, Variable Speed, 50Hz, 230 V*

**Shipping/Handling Surcharges Apply for International Shipments*



Attachments
Sold Separately

Floor Carver Replacement Parts

FILLAUER

R2000B	Bearing
R2000M-3	Motor, 3/4HP Variable Speed, 2300/60 Carver
R2000C	Coupler for Trautman Carver
R2000L	Lamp Assembly
R2000R	Retaining Ring (Replaces the Spirolox)
R2000S	Shaft
R2000T	Tension Handle
390870	Trautman Bearing Installation Kit - \$129.99



Bench Carver

FILLAUER

The Trautman Bench Carver comes complete with a durable 1/4 HP, 115 Volt input, AC, 60HZ, 3400 RPM single speed, brushless motor. This lightweight model features automatic thermal overload, adjustable height and tilt, a height extension of 10", and Trautman position locks. The unit can be bench or vise mounted, with the base pre-drilled for 1/4" hold down bolts.

- Great for satellite offices or bench work
- Maintenance free motor
- Lubricated ball bearings-sealed for life
- Uses 1/2" threaded accessories (5/8" threaded accessories may be used with Trautman Router Adapter, p/n 225029)
- Requires 115V, 60Hz electrical input (230V, 50Hz input available upon request)

Attachments
Sold Separately

2500/60 Trautman Bench Carver, 60Hz, 115V

2500/50 Trautman Bench Carver, 50Hz, 230V*

**Shipping/Handling Surcharges Apply for International Shipments*

Bench Carver Replacement Parts

R2500M-115	Motor Shaft Replacement 115volt
R2500M-230	Motor Shaft Replacement 230volt
R2500BA	Base
R2000T	Tension Handle

Bench Carver Floor Stand (Sold Separately)

- Adjustable height 33"-56"
- Alloy screw adjusts clamping force

390190 Bench Carver Floor Stand



Bench Carver, *NEW* Variable Speed FILLAUER

The Trautman Variable Speed Bench Carver comes complete with a durable 1/4 HP, 115 Volt input, AC, 60Hz/50Hz, 3400 RPM variable speed, brushless motor and a adjustable speed controller to provide the best results possible. This lightweight model features automatic thermal overload, adjustable height and tilt, a height extension of 10", and Trautman position locks. The unit can be bench or vise mounted, with the base pre-drilled for 1/4" hold down bolts.

- Great for satellite offices or bench work
- Maintenance free motor and controller
- High quality variable speed motor controller
- Lubricated ball bearings-sealed for life
- Uses 1/2" threaded accessories (5/8" threaded accessories may be used with Trautman Router Adapter, p/n 225029)
- Requires 115V, 60Hz electrical input (230V, 50Hz input available upon request)

2600/60 Trautman Bench Carver, *Variable Speed, 60Hz, 115 V*
2600/50 Trautman Bench Carver, *Variable Speed, 50Hz, 230 V**

**Shipping/Handling Surcharges Apply for International Shipments*

Bench Carver Replacement Parts

R2600M-115	Motor Shaft Replacement 115volt
R2600M-230	Motor Shaft Replacement 230volt
R2500BA	Base
R2000T	Tension Handle

Bench Carver Floor Stand (Sold Separately)

- Adjustable height 33"-56"
- Alloy screw adjusts clamping force

390190 Bench Carver Floor Stand



Attachments
Sold Separately



Dust Collector for Bench Carver

FILLAUER

- Works with most shop vacs
- Infinitely adjustable
- Appropriate for Bench Carvers and for hand-held sanding tools

2500L Dust Collector Attachment for Bench Carver

Includes:

- | | |
|---------------|--|
| 390460 | Nozzle, 6 x 3.5", Rectangular |
| 390462 | Female ShopVac Loc-Line Adapter |
| 390464 | Loc-Line Swivel Segment, 2.5" Diameter |
| 390466 | Gooseneck, with Bench Mount Clamp, 3/8-16 x 24 Long |
| 880711 | Screw, 3/8-16 x 1/2 Socket Head Cap Screw, Black Alloy |



Dust Collector for Floor Carver

FILLAUER

- Infinitely adjustable
- Steel construction
- 4" exhaust for connection to your vacuum system

2100L Dust Collector Attachment



Dust Collection Hose Kit for 2100L

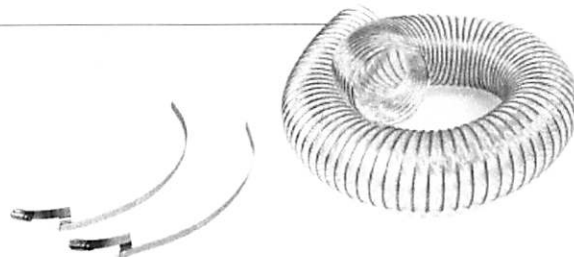
FILLAUER

- 4" diameter clear hose for viewing any obstruction
- 6' of flexible hose reach
- 2 worm-drive clamps for connection
- Internal Abrasion Resistant
- Enclosed steel wire reinforced

226005 Dust Collection Hose Kit for 2100L 6'

Includes:

- | | |
|---------------|--|
| 226003 | Clear 4" Diameter Vacuum Hose for 2100L 6' |
| 226004 | Hose Clamp for Vacuum Hose for 2100L |



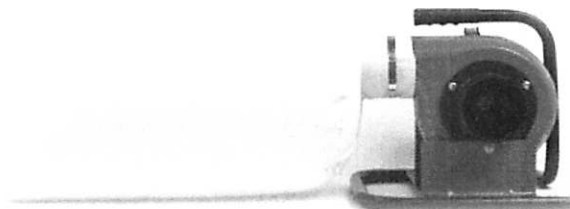
Portable Dust Collector

FILLAUER

Vacuum System for Dust Collector

- Easy to use and store
- Air Suction Capacity: 914 CFM + 2.1 Cubic Ft. Capacity
- 1 Hp Single Phase 120 Volt, 6.8 Amp, 3500 RPM

226001 Portable Dust Collector



Air Attachment for Floor Carver

FILLAUER

The Air Attachment directs an adjustable air stream to blow dust and chips from the cutting tool. Standard 1/4" pipe fitting to be attached to your air supply.

- Features a flat air flow nozzle
- Flexible stay set hose for adjustable air stream

2100J Air Attachment

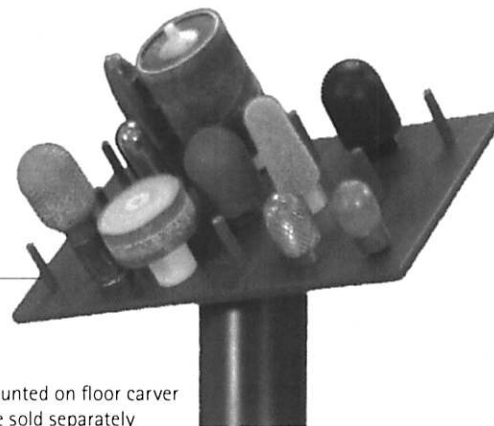


Angled Accessory Holder for Floor Carver

FILLAUER

- Keeps your accessories organized and visible

2100M Angled Accessory Holder Attachment



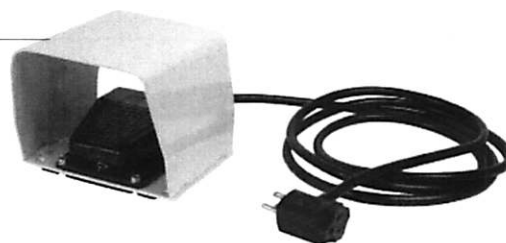
Shown mounted on floor carver
Cutters are sold separately

Foot Switch for Floor or Bench Carver

FILLAUER

The Foot Switch allows hands-free stop and start operations for extra safety, convenience, and efficiency. (Fits all models except: 2300/50, 2300/60, 2600/50, 2600/60)

2100K On/Off Foot Switch Attachment



TrautmanTM

Sand Drums for Floor or Bench Carvers

FILLAUER

2100F Sand Drum-Barrel Shape, *Small*2100G Sand Drum-Barrel Shape, *Large*

2100G



2100F

Sand Sheets

FILLAUER

SAND SHEETS FOR 2100F AND 2100FF SAND DRUM, SMALL	
PRODUCT NO.	SAND SHEET GRIT
F60	60 GRIT
F120	120 GRIT

SAND SHEETS FOR 2100G SAND DRUM, LARGE	
PRODUCT NO.	SAND SHEET GRIT
G60	60 GRIT
G120	120 GRIT

Shaft Foam Arbors and Sand Cones

FILLAUER

2100X Shaft Foam Arbor* for Floor Carver

2500X Shaft Foam Arbor for Bench Carver

*Made with tapered hole for Trautman shafts

SAND CONES FOR 2500X 3X5 1/2" SHAFT FOAM ARBOR	
PRODUCT NO.	SAND SHEET GRIT
225230	36 GRIT
225232	60 GRIT
225234	120 GRIT

SAND CONES FOR 2100X 3X9" SHAFT FOAM ARBOR	
PRODUCT NO.	SAND SHEET GRIT
225240	36 GRIT
225242	60 GRIT
225244	120 GRIT

Sand Drum Sleeves, Pneumatic

FILLAUER

- Will fit our 5001 Arbor and 5005 Double Drum Sander

225247 Sand Drum Sleeve Fine-120 GRIT

225248 Sand Drum Sleeve Fine-100 GRIT

225249 Sand Drum Sleeve Coarse-36 GRIT

Sand Drum Replacement Parts

FILLAUER

R2100F-DC Drum Cover-Foam Rubber,
*for 2100F or 2100FF*R2100G-DC Drum Cover-Foam Rubber,
*for 2100G*R2100F-DB Hold Down Bar,
*for 2100F*R2100G-DB Hold Down Bar,
for 2100G

2500X

2100X*

Sand Discs

FILLAUER

SAND DISCS FOR 5001 ARBOR	
PRODUCT NO.	SAND DISC GRIT
A24	24 GRIT

Sand Cones for Non-Pneumatic

FILLAUER

- Also Fits Wooden/Old Style Tapered Drums

SAND CONES FOR 5001 ARBOR AND 5005 DOUBLE DRUM SANDERS	
PRODUCT NO.	SAND SHEET GRIT
S24	24 GRIT
S50	50 GRIT
S120	120 GRIT
S180	180 GRIT
S240	240 GRIT

Sand Cores Rubber

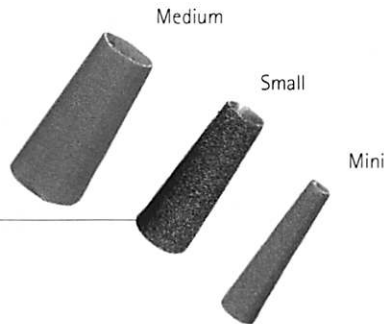
FILLAUER

- 2100C Sand Core, *Medium*
 2100D Sand Core, *Small*
 2100P Sand Core, *Mini*



Sand Cones for Rubber Sand Cores

FILLAUER



POLISHING CONES	
PRODUCT NO.	DESCRIPTION
225111	SMALL/FINE-BLUE
225112	SMALL/MEDIUM-MAROON
225113	SMALL/CORSE-BROWN
225114	MEDIUM/FINE-BLUE
225115	MEDIUM/MED-MAROON
225116	MEDIUM/CORSE-BROWN
225117	MINI/FINE-BLUE
225118	MINI/MED-MAROON
225119	MINI/CORSE-BROWN

SAND CONES THAT FIT 2100C SAND CORE, MEDIUM	
PRODUCT NO.	SAND CONE GRIT
C24	24 GRIT
C80	80 GRIT
C120	120 GRIT
C180	180 GRIT (FOR METAL)
C240	240 GRIT (FOR METAL)
C320	320 GRIT (FOR METAL)

SAND CONES THAT FIT 2100P SAND CORE, MINI	
PRODUCT NO.	SAND CONE GRIT
P50	50 GRIT
P100	100 GRIT
P180	180 GRIT

SAND CONES THAT FIT 2100D SAND CORE, SMALL	
PRODUCT NO.	SAND CONE GRIT
D24	24 GRIT
D80	80 GRIT
D120	120 GRIT

Tapered Felt Arbor/Core

FILLAUER

- For use with Fillauer sand cones
- Used for polishing plastic edges

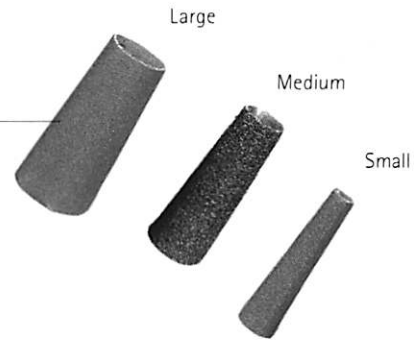
- 225072 Tapered Felt Arbor, 1" x 4", 1/2" Thread
 225070 Tapered Felt Arbor, 1.5" x 4", 1/2" Thread
 225068 Tapered Felt Arbor, 2" x 4", 1/2" Thread
 225128 Tapered Felt Arbor, 2" x 4", 5/8" Thread
 225177 Tapered Felt Arbor, 1.5" x 4", 5/8" Thread



Sand Cones, for Tapered Felt Arbors

FILLAUER

SAND CONES THAT WILL FIT TAPERED FELT ARBORS (SOLD PER DOZEN)		
PRODUCT NO.	SAND CONE SIZE	SAND CONE GRIT
225173	1" X 4"	80 GRIT
225175	1" X 4"	120 GRIT
225151	1.5" X 4"	36 GRIT
225169	1.5" X 4"	100 GRIT
225171	1.5" X 4"	120 GRIT
225136	2" X 4"	36 GRIT
225141	2" X 4"	80 GRIT



Urethane Arbor

FILLAUER

- Most commonly used for shaping soft foam covers
- Can be shaped to any contour

225080 Urethane Arbor, 3" x 5", 5/8" Thread

225082 Urethane Arbor, 3" x 5", 1/2" Thread

225520 Urethane Arbor, 1-1/2" x 4-1/2", 5/8" Thread



Felt Arbor

FILLAUER

- May be shaped to any contour
- Used for polishing edges of plastic

225066 Felt Arbor, 2" x 3" with 1/2" Thread

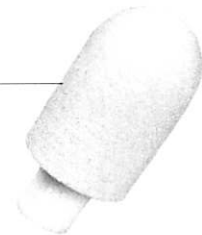
225064 Felt Arbor, 2-1/2" x 4" with 1/2" Thread

225062 Felt Arbor, 3" x 4" with 1/2" Thread

225078 Felt Arbor, 3" x 4" with 5/8" Thread

225086 Felt Arbor, 2-1/2" x 4" with 5/8" Thread

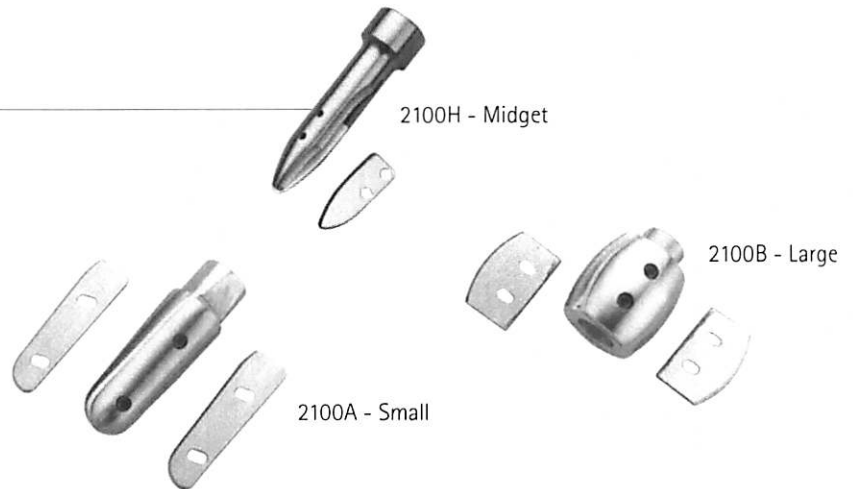
225094 Felt Arbor, 2" x 3" with 5/8" Thread



Cutters

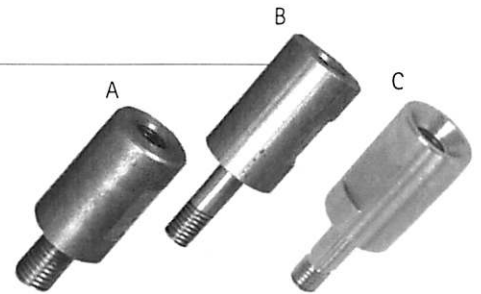
FILLAUER

- 2100A Cutter, *Small*
- 2100AB Replacement Blades, *Small*
- 2100B Cutter, *Large*
- 2100BB Replacement Blades, *Large*
- 2100H Cutter, *Midget*
- 2100HB Replacement Blades, *Midget*

**Router Adapter**

FILLAUER

- A. 225029 1/2" Internal to 5/8" External Thread
(Allows cutters with 5/8" threads to be used on Trautman machines)
- B. 225011 5/8" Internal to 1/2" External Thread
(Allows machines with 5/8" threads to use Trautman accessories)
- C. 225016 M16 Internal to 1/2" External Thread
(Allows machines with M16" threads to use Trautman accessories)
- D. 225017 1/2 - 13 Internal to M16 External Threads (not shown)
(Allows cutters with M16" threads to be used on Trautman machines)

***NEW* Coneiak Polishing Arbors**

FILLAUER

225490 Complete Set of (4) Coneiaks w/ Case, 1/2" - 13 Thread

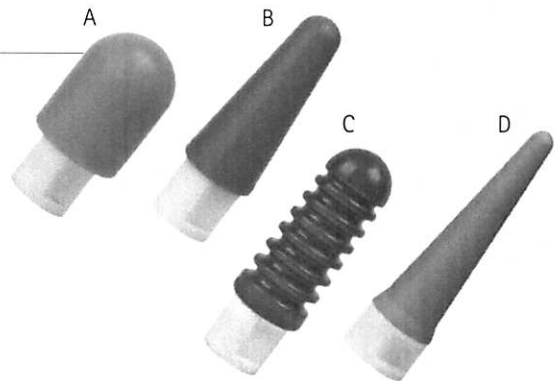
- A. 225400 Ball Nose, *Orange*, 1/2" - 13 Thread
- B. 225410 Tapered, *Red*, 1/2" - 13 Thread
- C. 225420 Grooved, *Gray*, 1/2" - 13 Thread
- D. 225440 Slim, *Blue*, 1/2" - 13 Thread

225495 Complete Set of (4) Coneiaks w/ Case, 5/8" - 11 Thread

- A. 225405 Ball Nose, *Orange*, 5/8" - 11 Thread
- B. 225415 Tapered, *Red*, 5/8" - 11 Thread
- C. 225425 Grooved, *Gray*, 5/8" - 11 Thread
- D. 225445 Slim, *Blue*, 5/8" - 11 Thread

225490MM Complete Set of (4) Coneiaks w/ Case, M16 Thread

- A. 225400MM Ball Nose, *Orange*, M16 Thread
- B. 225410MM Tapered, *Red*, M16 Thread
- C. 225420MM Grooved, *Gray*, M16 Thread
- D. 225440MM Slim, *Blue*, M16 Thread



Polishing Arbor

- 225110 Tycro Polishing Arbor, 3" x 3-1/2", Double Ended with 5/8" and 1/2" Thread
 225100 Tycro Cone, 4" x 1" (Requires 225090)
 225090 Tycro Cone Adapter, 1/2" Thread

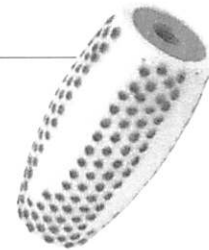


Soft Foam Shaper

HOSMER

- Ideal for contouring both inner and outer areas of foam cover
- Fine steel bristles barely protrude through surface so foam material may be shaped quickly and removed to obtain the desired cosmetic finish
- Trautman adapter required 225029

- 51391 Soft Foam Shaper, 5" Long, 2-3/4"
 Maximum Diameter for Schmid Carver, 5/8" Thread

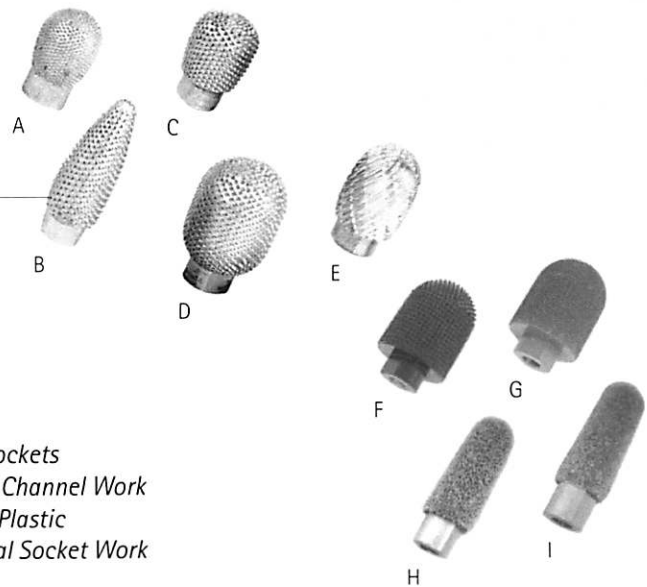


Grinding Rasps

FILLAUER

- High-quality steel
- Sharp teeth
- Long usage
- Must have router adapter
- Rasps A-D = 5/8" thread, E-I = 1/2" thread

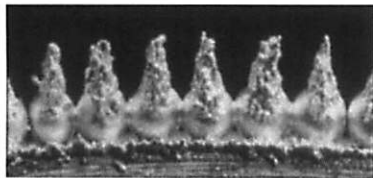
- A. 225052 5/8" Thread, 1-1/2" x 2-1/4", Use on Transtibial Sockets
 B. 225045 5/8" Thread, 1-3/8" x 3-3/8", Small Diameter and Channel Work
 C. 225060 5/8" Thread, 1-3/8" x 2-1/8", Extra Fine Teeth for Plastic
 D. 225037 5/8" Thread, 1-3/4" x 3-1/8", General Transfemoral Socket Work
 E. 2100E 1/2" Thread Rasp
 F. 225252 1/2" Thread Carbide Grind Rasp, Large/Coarse
 G. 225256 1/2" Thread Carbide Grind Rasp, Large/Fine
 H. 225262 1/2" Thread Carbide Grind Rasp, Small/Coarse
 I. 225266 1/2" Thread Carbide Grind Rasp, Small/Fine



CARBIDE COATINGS

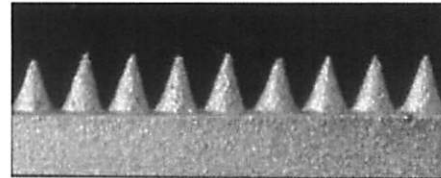
- Aggressive carving
- Used on plastic, lamination, wood, crepe, leathers, soft foam and rigid foam
- Superior stock removal rate
- Will not load on most materials
- Not for use on metals

SPORADIC COATING



- Moderate Material Removal
- Leaves smooth like surfaces

SPIKE COATING



- Heavy Material Removal
- May leave uneven surface

Our line of tools is available with two different carbide coatings. These coatings create teeth which are extremely sharp and long wearing. The conical teeth provide superior stock removal and will not "load" on most materials. They remove material with a very smooth cutting action which makes them easy to control. They remain sharp through hundreds of hours of use and require little maintenance. If needed, the tools can be cleaned with a butane torch when material like plastic gets caught in the teeth.

The SPORADIC and SPIKE coatings perform well on all types of materials including lamination, thermoplastic, wood, crepe, leather, soft foam, rigid foam and many other materials used in the O&P industry. The SPORADIC coatings come in coarse (80 grit) and fine (120 grit) versions. With this coating, material can be removed quickly and evenly, leaving a smooth surface. The SPIKE coating is a more extreme tool with more aggressive spike-like teeth. This provides more aggressive cutting action, reduces heat and reduces resistance to loading. The SPIKE coatings are also available in coarse (teal-colored) and fine (copper-colored) versions.

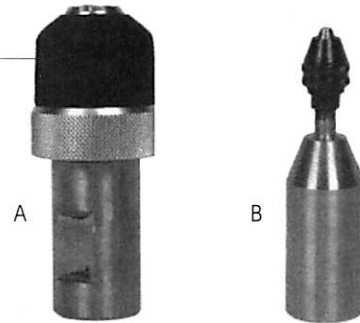
SPIKE CUTTER TOOL KIT

The SPIKE cutter tool kit, part number 14-RS-KT, contains the coarse version of the SPIKE coating which works well for major "hogging" jobs. The kit includes a range of shapes best suited for mass material removal common with all prosthetic and orthopedic fabrication.

*ALWAYS WEAR SAFETY GLASSES WHEN USING THESE AND OTHER ROTARY TOOLS.

Drill Attachment

- A. 2100S Trautman Drill Attachment
 B. 2100R Trautman Mini Drill Attachment



Cylinder Cutters

FOR DRILL ATTACHMENT 2100S

- A. 14-C12C 1/2x3/4 Cylinder Cutter, Coarse, 1/4 Shaft
 B. 14-C12F 1/2x3/4 Cylinder Cutter, Fine, 1/4 Shaft
 C. 14-C14C 1/2x3/4 Cylinder Cutter, Coarse, 1/4 Shaft
 D. 14-C14F 1/4x1-3/4 Cylinder Cutter, Fine, 1/4 Shaft
 E. 14-C34RS 3/4x1 Cylinder Cutter, Rough Spike, 1/4 Shaft



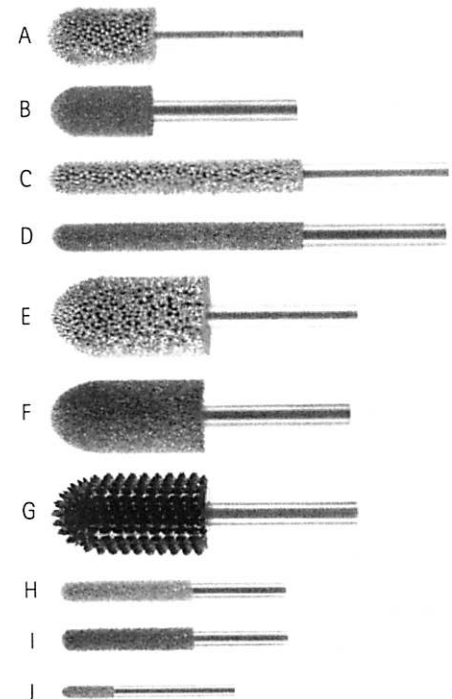
Ballnose Cylinder Cutters

FOR DRILL ATTACHMENT 2100S

- A. 14-B12C 1/2x1-1/8 Ballnose Cutter, Coarse, R 1/4 Shaft
 B. 14-B12F 1/2x1-1/8 Ballnose Cutter, Fine, 1/4 Shaft
 C. 14-B14C 1/4x1-3/4 Ballnose Cutter, Coarse, 1/4 Shaft
 D. 14-B14F 1/4x1-3/4 Ballnose Cutter, Fine, 1/4 Shaft
 E. 14-B34C 3/4x1-1/8 Ballnose Cutter, Coarse, 1/4 Shaft
 F. 14-B34F 3/4x1-1/8 Ballnose Cutter, Fine Cutter, 1/4 Shaft
 G. 14-B34RS 3/4x1-1/8 Ballnose Cutter, Rough Spike, 1/4 Shaft

FOR DRILL ATTACHMENT 2100R

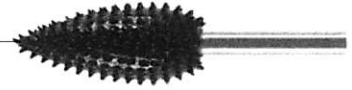
- H. 18-B18C 1/8x3/4 Ballnose Cutter, Coarse Cutter, 1/8 Shaft
 I. 18-B18F 1/8x3/4 Ballnose Cutter, Fine, 1/8 Shaft
 J. 18-B16C 1/16x3/8 Ballnose Cutter, Coarse Cutter, 1/8 Shaft



Flame Cutter

FOR DRILL ATTACHMENT 2100S

14-F34RS 3/4×1-3/8 Flame Cutter, *Rough Spike, 1/4 Shaft*



Sphere Cutter

FOR DRILL ATTACHMENT 2100S

14-S01RS 3/4×1-3/8 Sphere Cutter, *Rough Spike, 1/4 Shaft*



Rotor Saw Cutters

FOR DRILL ATTACHMENT 2100R

A. 18-R34C 3/4×1/8 Rotor Saw Cutter, *Coarse, 1/8 Shaft*

B. 18-R34F 3/4×1/8 Rotor Saw Cutter, *Fine, 1/8 Shaft*

FOR DRILL ATTACHMENT 2100S

C. 14-R01C 1×1/8 Rotor Saw Cutter, *Coarse, 1/4 Shaft*

D. 14-R01F 1×1/8 Rotor Saw Cutter, *Fine, 1/4 Shaft*



Dove Tail Cutters

FOR DRILL ATTACHMENT 2100R

A. 18-D38C 3/8×1/2 Dovetail Cutter, *Coarse, 1/8 Shaft*

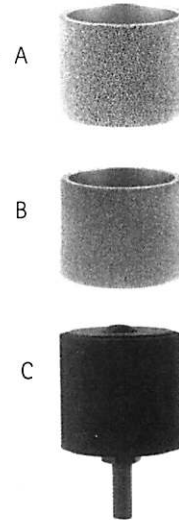
B. 18-D38F 3/8×1/2 Dovetail Cutter, *Fine, 1/8 Shaft*



Sanding Sleeve and Mandrel

FOR DRILL ATTACHMENT 2100S

- A. 14-S112C 1-1/2x2 Sanding Sleeve, *Coarse*, 1/4 Shaft
 B. 14-S112F 1-1/2x2 Sanding Sleeve, *Fine*, 1/4 Shaft
 C. 14-M112 1-1/2x2 Mandrel, *for Sanding Sleeve*, 1/4 Shaft



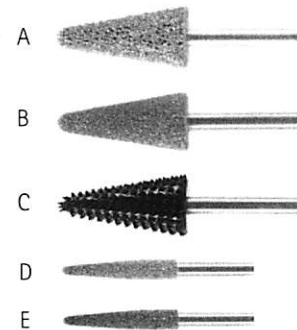
Tapered Cutters

FOR DRILL ATTACHMENT 2100S

- A. 14-T34C 3/4x1-3/8 Tapered Cutter, *Coarse*, 1/4 Shaft
 B. 14-T34F 3/4x1-3/8 Tapered Cutter, *Fine*, 1/4 Shaft
 C. 14-T34RS 3/4x1-3/8 Tapered Cutter, *Rough Spike*, 1/4 Shaft

FOR DRILL ATTACHMENT 2100R

- D. 18-T18C 1/8x3/4 Tapered Cutter, *Coarse*, 1/8 Shaft
 E. 18-T18F 1/8x3/4 Tapered Cutter, *Fine*, 1/8 Shaft



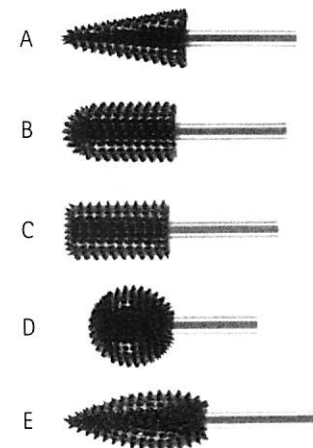
Spike Cutter Tool Kit

- For Drill Attachment 2100R

14-RS-KT Spike Cutter Tool Kit (includes divided clear tool box)

Kit Includes:

- A. 14-T34RS 3/4X1-3/8 Tapered Cutter, *Rough Spike*, 1/4 Shaft
 B. 14-B34RS 3/4X1-1/8 Ball Nose Cutter, *Rough Spike*, 1/4 Shaft
 C. 14-C34RS 3/4X1 Cylinder Cutter, *Rough Spike*, 1/4 Shaft
 D. 14-S01RS 1X1-3/8 Sphere Cutter, *Rough Spike*, 1/4 Shaft
 E. 14-F34RS 3/4x1-3/8 Flame Cutter, *Rough Spike*, 1/4 Shaft



Additional Cutter Tool Kits Available - Contact Your Customer Service Representative.

Mobile Vacuum Unit

FILLAUER

- Designed by Fillauer
- Sturdy steel frame with casters and wood top
- Multifunction table top for:
 - A. Pipe-mounted platens, height adjustable
 - B. Vacuum forming directly on table top
 - C. Pipe-holding fixture for horizontal vacuum forming
- Master cut-off valve and three-way valve
 - A. Neutral (off) position
 - B. High vac line-full vacuum direct from vacuum source
 - C. Low vac line-controlled by regulator
- On-off foot operated valve
- Filter and water trap (wet plaster models release 4-6oz. of water which could contaminate regulator, gauges, and pump)
- Two six gallon surge tanks



227305 Mobile Vacuum Unit

Includes:

- 227503 Surge Tanks
- 227511 Master Cut-Off Valve
- 227529 Three-Way Valve
- 227537 Regulator
- 227545 Gauge
- 227552 Filter-Water Trap
- 227560 On-Off Foot Control

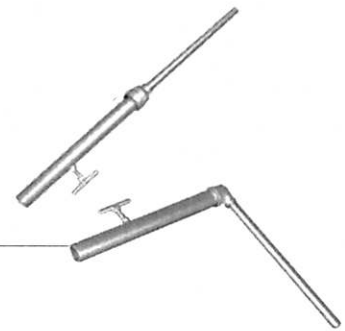
NOTE: Pump is sold separately

Drape Forming Adapter

FILLAUER

227497 Drape Forming Adapter, *Straight*

227495 Drape Forming Adapter, *Angled*



Vacuum Control Assembly

Included in Mobile Vacuum Unit

227500 Vacuum Control Assembly

Includes:

- 227511 Master Cut-Off Valve
- 227529 Three-Way Valve
- 227537 Regulator
- 227545 Gauge
- 227552 Filter-Water Trap



Note: On-Off Foot Control 227560 Optional But Recommended

Vacuum Pump, Portable

HOSMER

- 1/4 Horse Power motor is permanently lubricated
- Enough power to operate two Vacuum Laminating Jigs simultaneously
- Four cubic feet per minute capacity
- Adjustable vacuum from 3" to 27" of mercury
- Gauge, regulator, filter, hoses, and overflow traps included
- Standard 110/115 volt 50/60 Hz Single Phase Motor *
- 110 V Standard Plug and On/Off Switch
- Motor may be wired for 220 Volt use

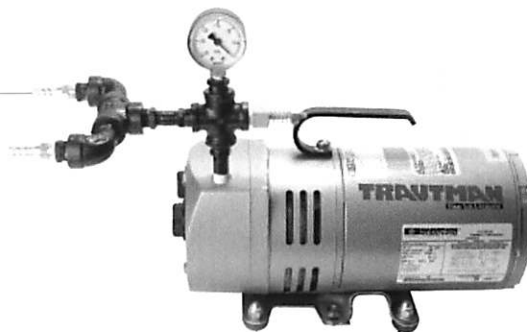


51277 Portable Vacuum Pump, 110 Volt *

Oilless Vacuum Pump, Portable

FILLAUER

- 1/3 Horse Power oil less motor
- Enough power to operate two Vacuum Laminating Jigs simultaneously
- Four cubic feet per minute capacity
- Adjustable vacuum from 3" to 27" of mercury
- Standard 110/115 volt 50/60 Hz Single Phase Motor *
- 110 V Standard Plug and On/Off Switch
- Motor may be wired for 220 Volt use
- Available in single and dual vacuum
- Reversible to become air supply as well as vacuum



Dual Pump 227020

227005 Portable Oilless Vacuum Pump, 115V

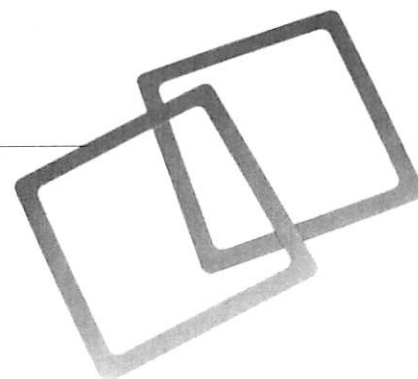
227020 Portable Dual Oilless Vacuum Pump, 115V

Holding Frames

FILLAUER

- Sold per pair

- 227420 Holding Frames, 12" x 12"
- 227438 Holding Frames, 16" x 16"
- 227443 Holding Frames, 18" x 18"
- 227449 Holding Frames, 20" x 20"
- 227450 Holding Frames, 22" x 22"
- 227451 Holding Frames, 24" x 24"



Dual Bladder Vacuum Station

FILLAUER

The Trautman Dual Bladder Vacuum Station allows for a variety of options in vacuum forming. The station can be used as either a dual bladder or single bladder vacuum system. The dual bladder configuration allows for better mold preservation during vacuum forming and improved surface quality of the molded product. This allows the product to be more consistent and visually appealing.

- Durable, powder coated aluminum frame
- High temperature, non-stick, clear silicone bladder
- Dual bladder for use with Comfil® TFC and pre-preg materials
- Quick change outer bladder saves time and money
- Exterior dimension: 24"x24"
- Requires vacuum source (2 connections for dual bladder setup)

227730 Dual Bladder Vacuum Station



Single Bladder Vacuum Station

FILLAUER

Single bladder vacuum station can be easily upgraded to a dual bladder configuration by purchasing the upgrade kit (see optional accessories below).

- Durable, powder coated aluminum frame
- High temperature, non-stick, clear silicone bladder
- Conventional vacuum station
- Large work area (18 1/2"x 18 1/2")
- Quick change bladder

227728 Single Bladder Vacuum Station

Optional Accessories

FILLAUER

227729 Dual Bladder Upgrade Kit

- includes all hardware necessary to convert single bladder system to a dual bladder system (bladder frame, silicone sheet, vacuum fittings and tubing)

227752 Outer Bladder

227751 Inner Bladder

Infrared Ovens

PDQ Infrared Oven, Rollabout Tray Models

OTS

STANDARD FEATURES

- Aluminum and stainless steel construction
- 650 watt quartz infrared lights
- 1000 watt quartz infrared lights (8E model only)
- Interior light
- Double pane viewing window
- Programmable digital temperature controller (accurate within 2°)
- Tray includes a fitted Teflon® cover
- Full 1 year warranty

OPTIONS

- Vent
- Bubble forming frames
- Bubble forming stand
- Tray lift
- Tongue (thin plastic) tray



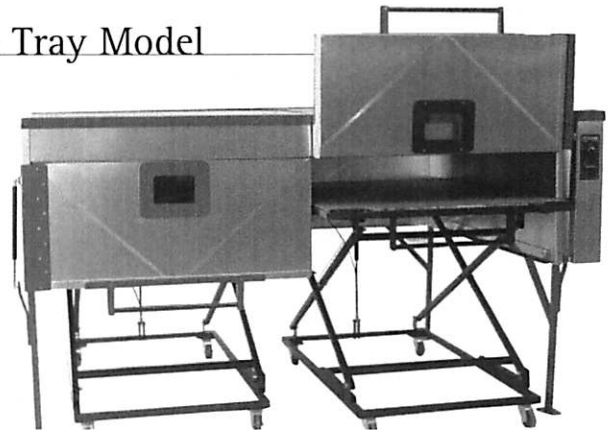
MODEL NO.	INTERIOR DIMENSIONS	EXTERIOR DIMENSIONS
ITEM# PDQ-5A	38" X 31" X 18"	49" X 35" X 48"
ITEM# PDQ-6B	36" X 51" X 18"	47" X 55" X 48"
ITEM# PDQ-7C	48" X 51" X 18"	59" X 55" X 48"
ITEM# PDQ-8E	60" X 48" X 18"	70" X 52" X 48"

Infrared Ovens

PDQ Infrared Oven, 8D-2 Double Rollabout Tray Model

OTS

The 8D-2 Convertible Double Tray Rollabout model is designed for the high volume facility. With two separate height adjustable trays that can be connected together to create an enormous area, this oven is designed to heat two separate AFO's at once or one large body jacket. The bottom of the oven consists of two trays for sheet plastic with fitted Teflon® covers. Remove the center partition, and the trays can be connected together and covered with one large tray with a fitted Teflon® cover. Caster rollers allow the hot plastic to be rolled to the vacuum area.



STANDARD FEATURES

- Aluminum and stainless steel construction
- 1000 watt infrared emitters
- Two Interior lights
- Two Double pane viewing windows
- Programmable digital temperature controller
- Two Trays for sheet plastic with fitted Teflon® covers
- One combined tray with fitted Teflon® cover
- Interior Dimensions: Each Side: 39" x 50" x 18"
Trays Combined: 80" x 50" x 18"
- Exterior Dimensions: 92" x 54" x 48"
- Full 1 year warranty

PDQ-8D Infrared Oven

PDQ Infrared Oven, BT-1 (Benchtop) Model

OTS

The BT ovens incorporate the infrared efficiency design of all our full size ovens. This BT-1 is intended for flat plastics only.

SPECIAL FEATURES

- Aluminum and stainless steel construction
- Weight (uncrated) 250lbs
- Four 650 watt quartz infrared emitters
- Interior light
- Double pane viewing window
- Digital temperature controller (0-550, +/- 2)
- Interior Dimensions: 38" x 30" x 6"
- Exterior Dimensions: 42" x 43" x 20"
- Full 1 year warranty

OPTIONS

- Tongue tray
- Timer
- Vent

PDQ-BT-1 Infrared Oven



Infrared Ovens

ALL NEW BT-4

BT-3 CAPABILITY + ENHANCED FEATURES

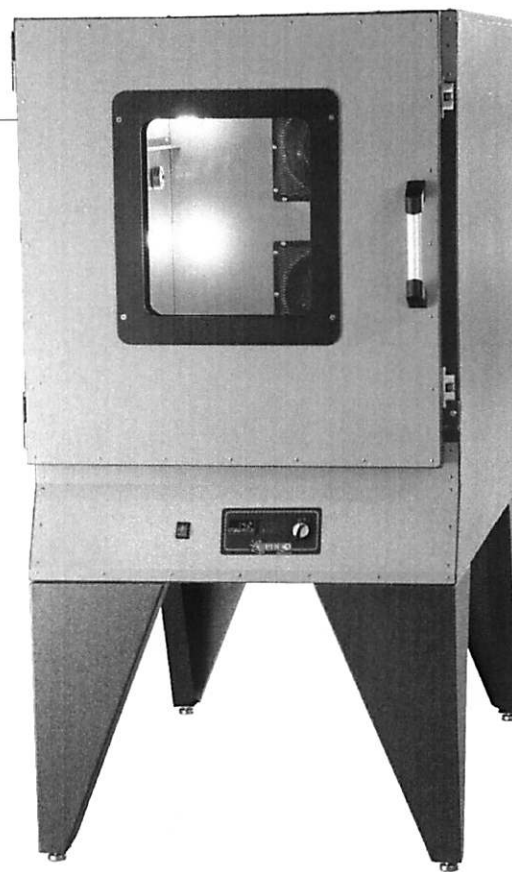
PDQ Infrared Oven, BT-4 (Benchtop) Model OTS

The BT-4 is capable of bubble forming and heating sheet plastic while taking up a minimal amount of floor space. The BT-4 Infrared Oven is big enough to heat most KAFO sheet plastics and has enough drop for even the biggest check socket.

The BT-4 has the same speed and reliability you've come to expect from PDQ Infrared Ovens. The eight 1000 watt emitters; four on top and four on bottom along with the dual electric fans allow bubble forming plastics to be heated evenly and efficiently. The BT-4 is truly the best of both worlds with its small size and large capacity.

STANDARD FEATURES

- Eight 1000 watt emitters; four on top and four on bottom
- Programmable digital temperature controller
- Dual electric fans for air circulation
- Access point for vacuum line
- 4 interior lights and large viewing window
- Sheet plastic tray with fitted Teflon® cover
- Aluminum and powder coated protective finish
- 18" clearance for bubble forming
- Interior dimensions: 27" wide x 40" deep x 24" high
(18" clearance for bubble forming)
- Exterior dimensions: 32" wide x 49" deep x 61" high
- Full 1 year warranty



PDQ-BT-4 Infrared Oven

Infrared Ovens

PDQ Infrared Oven, PO-2 Model OTS

Designed with banks of lights on top and bottom to facilitate the quick and even forming of thick plastics.

Instead of having to reach into a hot oven for bubble forming frames, the PO-2 model now has a Rollout Tray that holds either frames or tray for heating flat plastic. Just roll the cart out to your mold.

STANDARD FEATURES

- Aluminum and stainless steel construction
- Quartz infrared tubes top and bottom
- Eight 1000 watt quartz infrared tubes (4 on top/4 on bottom)
- Interior light
- Two double pane viewing windows
- Programmable digital temperature controller (accurate to within 2°)
- Rollabout bubble forming rack/sheet plastic tray
- Rollabout tray with fitted Teflon® cover
- Interior dimensions: 50" x 36" x 20"
- Exterior dimensions: 60" x 40" x 53"
- Full 1 year warranty

OPTIONS

- Vent
- Bubble forming frames
- Tongue tray

PDQ-PO-2 Infrared Oven



Infrared Oven Accessories

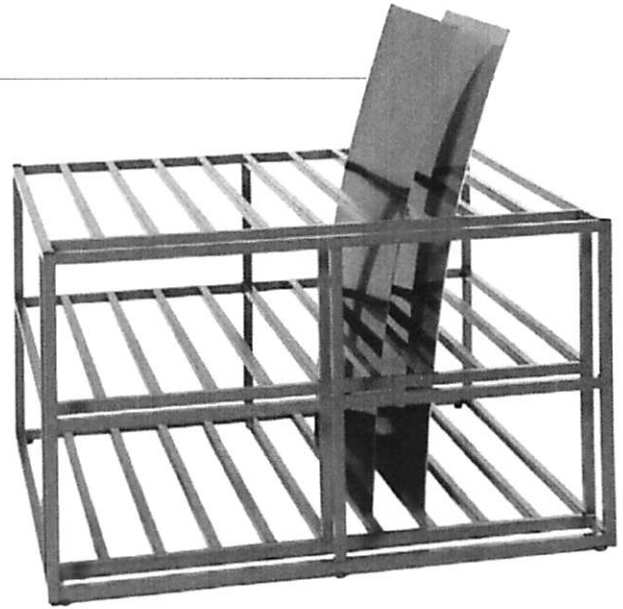
PDQ Plastic Rack

OTS

- Used for storing sheet plastic

RACKSMALL 30"h x 52" x 32"d

RACKLARGE 30"h x 52" x 44"d



PDQ Mold Library

OTS

- Used for storing casts.

MOLDLIBRARY 84"h x 36" x 16"d

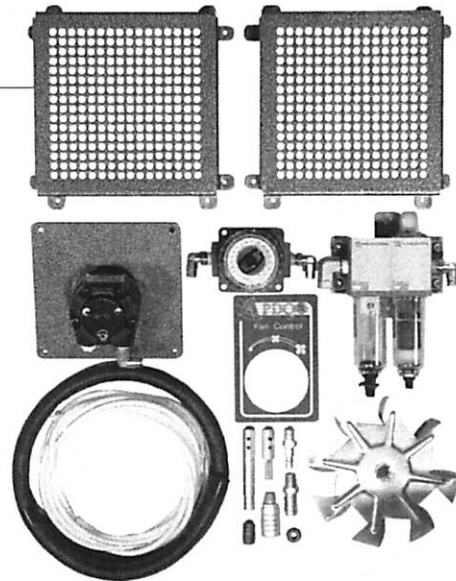


Infrared Ovens Accessories

PDQ Oven Fan Kit

OTS

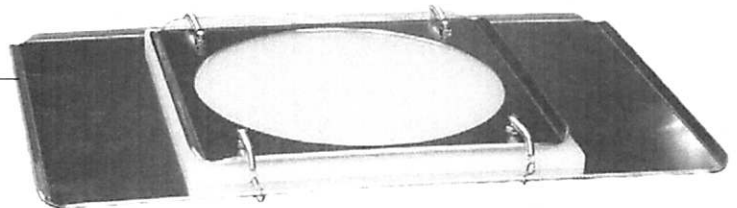
- Available as a retrofit kit for an existing PDQ Infrared Oven
- Available as factory-installed accessory on a new PDQ Infrared Oven
- Provides controlled heating of Pre-Preg and TFC materials
- Reduces production time by as much as 20% for O and P Plastics
- Fits all models except BT-1 and BT-4

O FAN KITOven Fan Kit, *for Retrofit***O FAN NEW**Oven Fan Kit, *for Factory Installed Accessory with oven order*

PDQ Bubble Forming Frame

OTS

- Round hole to reduce plastic stretch at the corners and increase platen contact
- Four easy-to-use spring clips to hold plastic in place
- Bottom of frame is wider to facilitate and support frame while inside PDQ Benchttop Ovens
- Available in five sizes

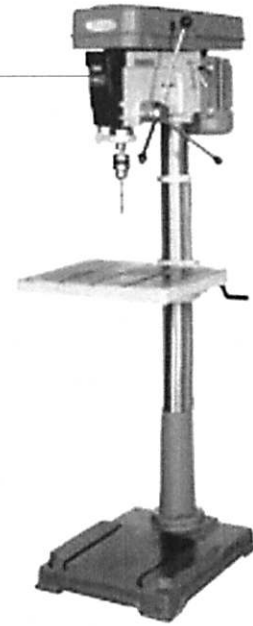


BFE (Order BFF 9", 12", 16", 18", 24")* Bubble Forming Frame

Equipment

Drill Press, RG50-2500

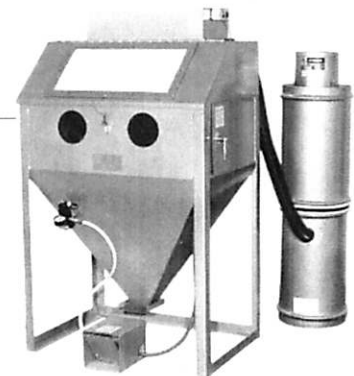
	PN-226020	PN-226022
	15" RG50-2500	20" RG50-2550
CAPACITY, CAST IRON	UP TO 5/8"	UP TO 3/4"
CAPACITY, STEEL	UP TO 1/2"	UP TO 5/8"
DRILLS TO CENTER	15"	20"
MOTOR	1/2HP, 1725 RPM, 1PH, 115V	1HP, 1725RPM, 1PH, 115V
QUILL DIAMETER	1-7/8"	2-1/4"
QUILL TRAVEL	3-3/8"	4-3/4"
SPINDLE TAPER	#2 MORSE TAPER	#3 MORSE TAPER
CHUCK SIZE	5/8" KEY CHUCK	5/8" KEY CHUCK
SPINDLE SPEEDS	250, 340, 390, 5120, 600, 650, 990, 1550, 1620, 1900, 2620, 3100	150, 260, 300, 440, 490, 540, 1150, 1550, 1840, 2220, 2950, 4200
TABLE SIZE	10" X 10"	18-1/2" X 16-1/2"
COLUMN DIAMETER	2-7/8"	3-5/8"
WEIGHT	185LBS	321LBS



Dry Blast, Sandblaster

- Improves overall appearance of part with minimum time and effort
- Removes scale, brazing, discoloration, rust, and more
- Provides satin finish

226342 Dry Blast, 110V
 226340 Dry Blast, 220V
 2-00083 Motor, 110V
 2-00030 Bag



Vertical Band Saws

Band Saw, Wood and Metal 8201K

Rugged metal cutting saws for multi-purpose contour sawing applications. Ideal for almost any metal working application including beveling, slicing, ripping and stack cutting.

FEATURES

- Manual blade tension hand wheel indication
- Adjustable carbide blade guides
- Large cast iron tilting worktable
- Heavy-duty oil bath gear box
- New high-speed models
- Compound axis table
- Blade included; one for wood and one for metal
- Some assembly required

Band Saw, Variable Speed 8201VS

The 14" Variable Speed Vertical Band Saw is ideally suited for metal cutting with an infinite variable speed range of 90 to 340sfpm. Both versatile and dependable, these saws are capable of contour cutting, straight cutting and re-sawing. Also cuts delicate curves in both thick or thin stock.

FEATURES

- Cast iron frame
- Solid; one piece steel base for extra stability
- Conveniently located on/off switch
- Mitre gauge
- Dust chute
- Saw blade

	8201K	8201VS
PRODUCT NUMBER	226017	226018
CAPACITIES		
UNDER GUIDE	6"	6"
UNDER GUIDE WITH RISER BLOCK	12"	12"
FROM BLADE TO FRAME	13-1/2"	13-1/2"
MOTOR	1HP, 1PH, 1725RPM, 115/230V	1HP, 1PH, 1725RPM, 115V
CUTTING SPEEDS		
WOOD	3300SFPM	90-340SFPM
METAL	39, 57, 78, 107, 142, 196, 278SFPM	VARIABLE SPEED
MACHINE DIMENSIONS	20" L X 16" W	20" L X 16" W
HEIGHT FROM FLOOR	66"	66"
WIDTH X DEPTH	3/4" X 3/8"	3/4" X 3/8"
MITRE GAUGE	STANDARD	STANDARD
BLADE DIMENSIONS	3/8" X .25" X 92-1/2" STANDARD	3/8" X .25" X 92-1/2" STANDARD
TABLE TILT TO RIGHT	45°	45°
TABLE TILT TO LEFT	10°	10°
WEIGHT	280LBS	325LBS

Fabrication

Laminating Fixture LJ-100

HOSMER

- May be positioned to hold cast at any angle or degree of rotation
- Large PVA tie-off ring and hose attachments for inside and outside vacuum lines make laminating easier and faster

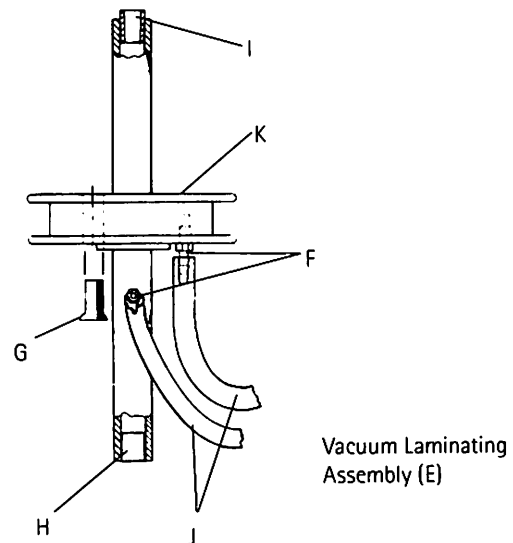
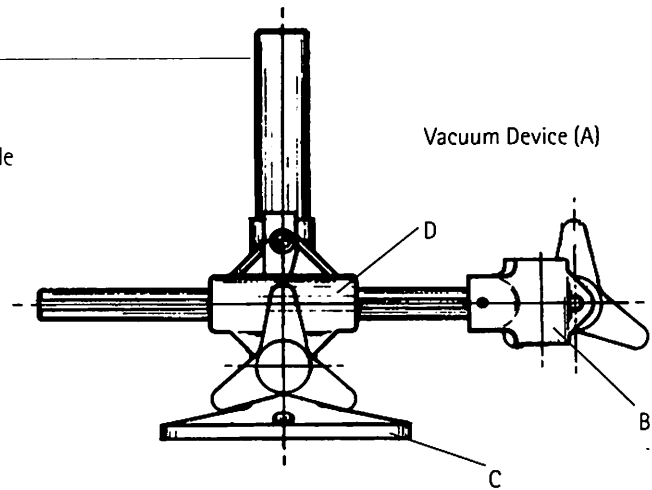
51454 Laminating Fixture Complete, LJ-100

51459 Vacuum Device Assembly Only

51455 Vacuum Laminating Assembly Only

COMPONENT PARTS FOR 51454 LJ-100

- A. 51459 Vacuum Device
 B. 51462 Clamp Assembly
 C. 51463 Post Base Assembly
 D. 52062 Clamp Assembly
- F. 51271 Hose Connector
 G. 51458 Stopper
 H. 51457 Plug
 I. 51456 Pipe Lock
 J. 51273 Hose, 1/4", 6' Lengths Only
 K. 55706 Lamination Mandrell
 51275 Hose, Tie-Off 3/16", (Not Shown)



Vacuum Laminating Assembly (E)

Surgical Tubing

HOSMER

- High quality, pure latex tubing
- May be used as hose on vacuum or to securely tie-off PVA bags on the Vacuum Laminating Jig, LJ-100

51273 Surgical Tubing, 1/4" Diameter, 6' Increments Only

51275 Surgical Tubing, 3/16" Diameter, Per Foot

Fabrication

Vertical Fabricating Fixture VFJ-100

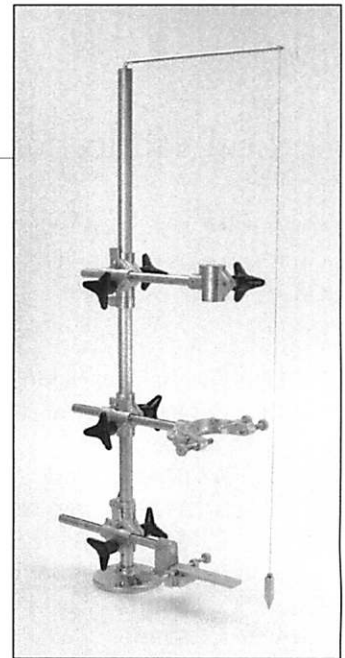
HOSMER

- Vertical orientation allows continuous alignment during all phases of duplication and fabrication process
- VFJ-Ball Joint Module provides additional alignment capabilities
- Lutz Adapter enables use of VFJ-100 with Flex Foot and Spring Lite as well as various endoskeletal systems

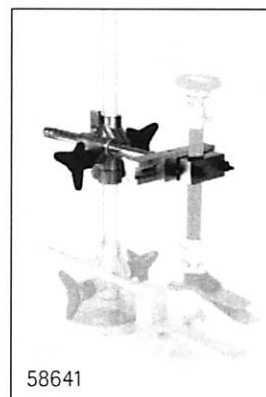
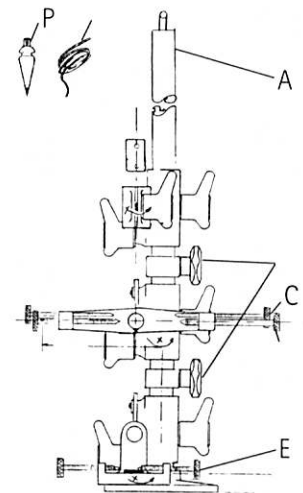
- 52056** Vertical Fabricating Fixture, *VFJ-100*
61714 Vertical Swivel Module
52103 Mandrel Bushing with Screws, *VFJ-107*
58188 VFJ-Ball Joint Module
58641 Lutz Adapter Kit, *with Endoskeletal Adapters*
58640 Flex Foot/Spring Lite LOHO Bock Adapter
58633 Endoskeletal Adapter, *(Requires 58640)*

COMPONENT PARTS FOR 52056 VFJ100

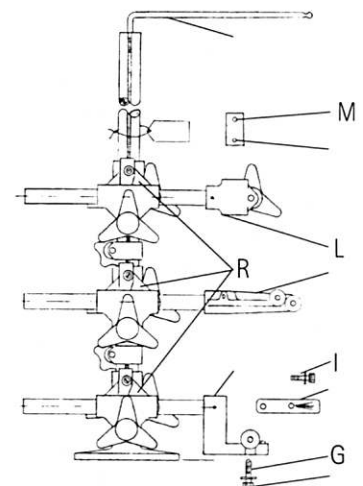
- A. **52057** Post Assembly
 B. **52106** Collar Assembly*
 C. **52086** Screw Assembly, *VFJ-105-6*, 5/16" x 18 Thread*
 D. **52084** Center Screw Assembly, *VFJ-105-2*, 1/2" x 13 Thread*
 E. **52079** Thumb Screw Set
 F. **50270** Washer
 G. **52075** Bolt
 H. **52076** Plate
 I. **51674** Bolt
 J. **52071** Ankle Bracket Assembly*
 K. **52082** Yoke Assembly VFJ-105*
 L. **52088** Socket Clamp Assembly VFJ-106*
 M. **55992** Mandrel Bushing Set Screw, *3/8"x16x1/4"*
 N. **52103** Mandrel Bushing, *with Set Screws**
 O. **72334** Cord
 P. **52109** Plumb Bob
 Q. **52108** Plumb Bob Support
 R. **52062** Clamp Assembly VFJ-102*



52056



58641



Fabrication

Vertical Fabrication Fixture, Universal

HOSMER

- Reversible for one stage laminations inside the fixture
- Bench alignment capabilities
- Maintains accurate alignment
- Can be used with any prosthetic components

220129 Pipe Holding Fixture (*Required for Assembly*)

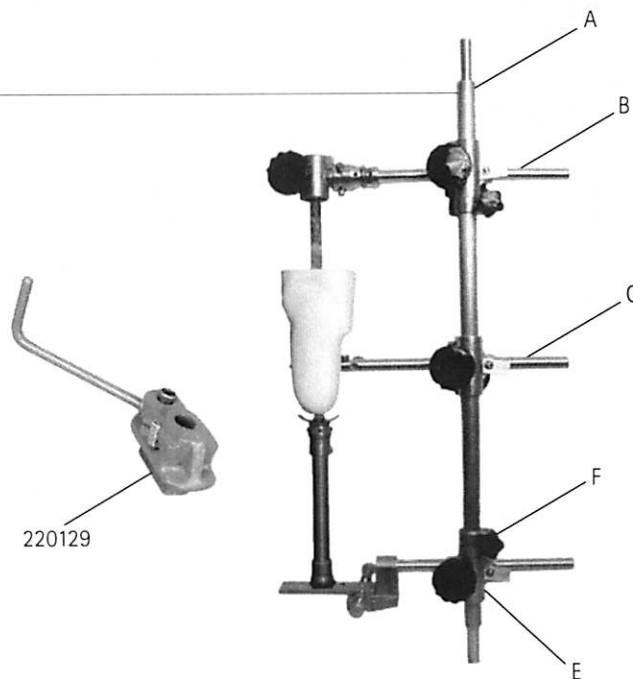
61443 Hosmer Universal Fabrication Fixture

Includes:

- A. 61428 Post
- B. 61714 Vertical Swivel Module
- C. 61713 Ankle Base Plate Module
- D. 61715 Ankle Bracket Module
- E. 52062 Socket Clamp Assembly
- F. 52106 Collar Assembly

Optional Components Include:

52082 Yoke Assembly, for Above Knee



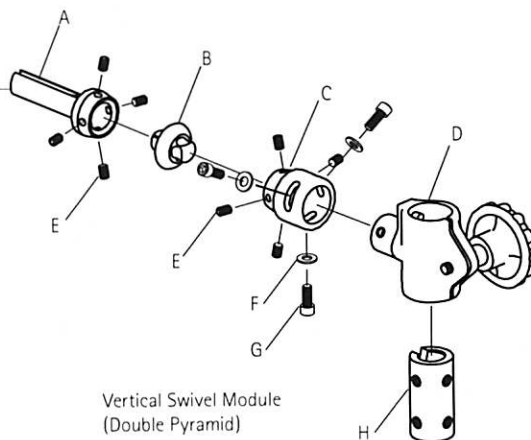
Vertical Swivel Module

HOSMER

61714 Vertical Swivel Module

Includes:

- A. 61436 Adapter Arm
- B. 61437 Dual Pyramid
- C. 61438 Adapter
- D. 61442 Socket Clamp Assembly
- E. 60248 Set Screw, M8 x 1.25, 8 Each
- F. 61446 Washer, 3 Each
- G. 70206 Screw, 5/16-18 Socket Head Cap Screw, 3 Each
- H. 52103 Sleeve Assembly

Vertical Swivel Module
(Double Pyramid)

Fabrication

Bar Contouring Device

FILLAUER

- Horizontal operation
- Heavy duty for long life
- Low profile, does not interfere with table work space
- Retractable handle when not in use
- Operates in two directions, in and out
- Available as floor model
- Will form full circle without restriction

220103 Bar Contouring Device

Includes:

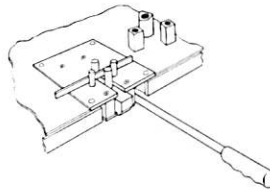
220101 Form Block Set, for Bar Contouring Device

220111 Bar Contouring Device, with Stand

220115 Stand Only



220103

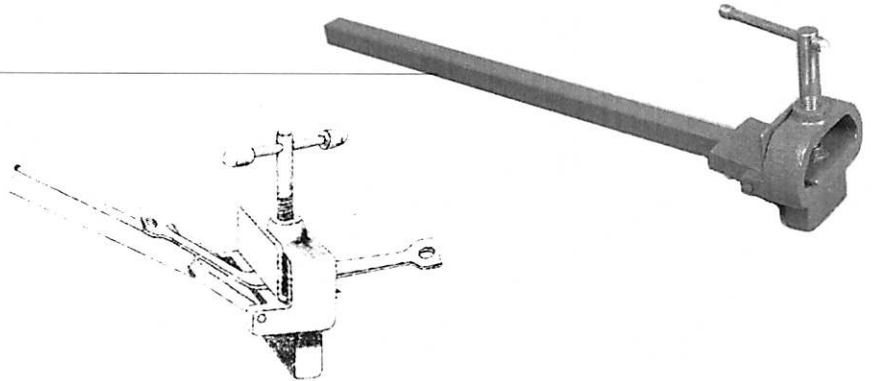


220111

Stirrup Bender

FILLAUER

220038 Stirrup Bender



Contouring Fork and Bench Receptacle

FILLAUER

- Heat-treated stainless steel
- Mounts flush on work bench or in work bench vise

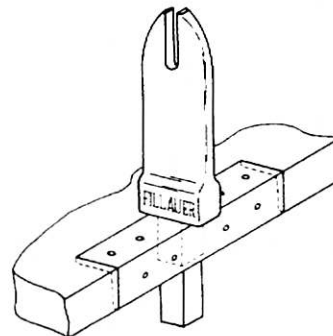
220194 Contouring Fork, 5/16" Throat

220186 Contouring Fork, 1/4" Throat

220202 Bench Receptacle

220210 Fork and Receptacle Set, 1/4" Throat

220293 Fork and Receptacle Set, 5/16" Throat

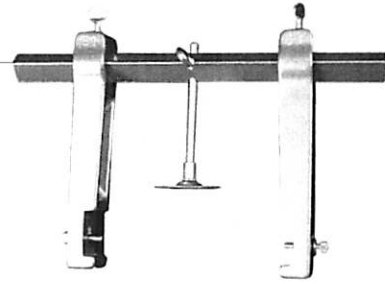


Fabrication

Alignment Fixture, Universal

FILLAUER

220128 Universal Alignment Fixture

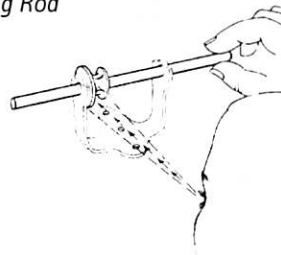


Joint Alignment Tool

FILLAUER

Use for both small and large stirrups

220020 Alignment Tool, *Universal, .25 Diameter x 8" Long Rod*



Bending Irons

HOSMER

- Small pocket size, plated steel bending irons
- Provides smooth bending of side bars

54795 Bending Irons



Contouring Irons

FILLAUER

- Nickel plated bronze
- Wide-radius jaws
- Sold as pair
- Will not mar finished metal or leather work

220285 Rounded Polished Jaws



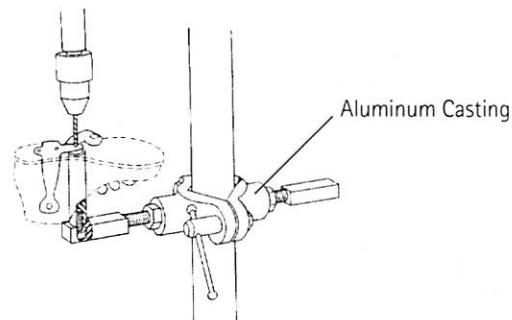
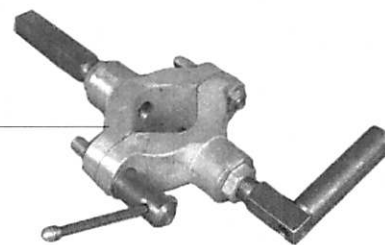
Fabrication

Drill Press Fixture

FILLAUER

- For intricate orthotic and prosthetic work
- Disassembly of drill press
- Less bulky than table

- 220160** Drill Press Fixture, 2" - 2-1/4" Diameter
220162 Drill Press Fixture, 2-1/2" - 2-3/4" Diameter
220164 Drill Press Fixture, 3" - 3-1/4" Diameter



Prosthetic Bench Vice

FILLAUER

- Tough, resilient pads
- Opens to 16" with an 8" depth
- Swivel jaw, 6"x 6"

- 220178** Prosthetic Bench Vice
220301 Replacement Pads



220301

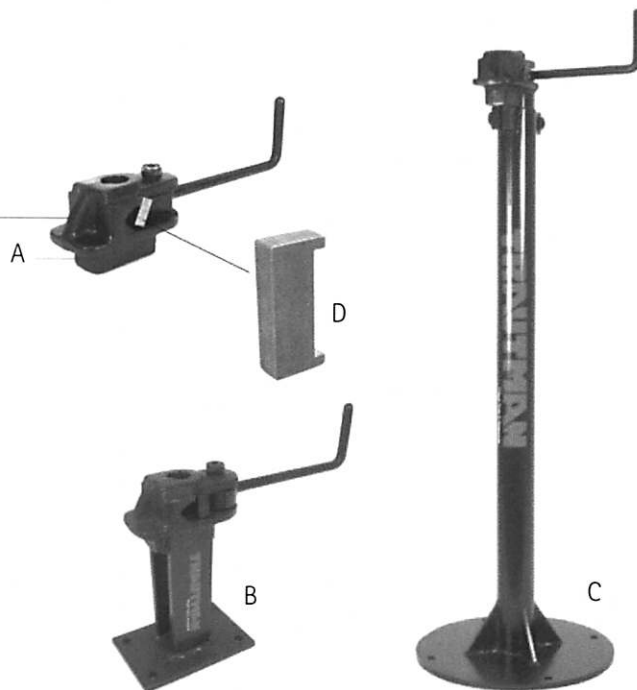


Pipe Holding Fixture

FILLAUER

- Eccentric bushing to take-up wear
- Allen screw adjusts clamping force

- A. 220129** Pipe Holding Fixture, Vice Mount
B. 220131 Bench Mounted Pipe Holding Fixture, 8" High
C. 220133 Laminating Stand with Pipe Holding Fixture
Adjustable in Height to 60" High, 15"-18" Diameter
D. 220135 Friction Block



Fabrication

Revolving Punch

155 Revolving Punch



Rivet Bar

40010 Rivet Bar, with Pins, 27"



Glove Donner

HOSMER

51218 Glove Donner

Includes:

55772 Arm Receiver

51222 Thumb Screw

51221 Clamp

52022 Washer



Spring Clamps

FILLAUER

227594 Spring Clamps Set (4 Each)



Fabrication

Cable Swaging Tool

HOSMER

- May be used in any standard bench vise
- Made of heat treated steel

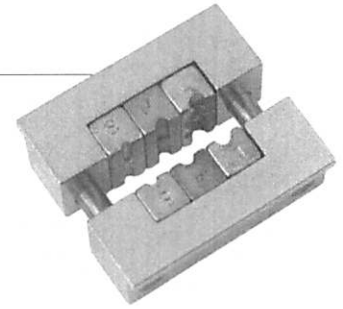
50520 Cable Swaging Tool, *for 3 Sizes of Cable Size Fittings*

REPLACEMENT DIE: PURCHASE TWO DIE OF SAME SIZE

50524 Replacement Die, *3/64" (.119cm)*

50523 Replacement Die, *1/16" (.159cm)*

50522 Replacement Die, *3/32" (.238cm)*



Wire Spring Type Clamp

FILLAUER

- Yates type

226019 Clamp, *Y-1, Small, 3"*

226027 Clamp, *Y-2, Medium, 3-1/2"*



Yates Clamp

HOSMER

- Holds harness during fitting

51831 Flat Spring Clamp

226019 Wire Spring Type

52116 Wire Spring Type, *Longer*

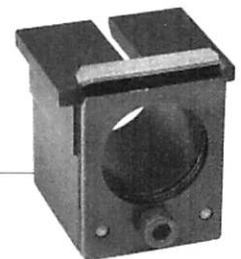
52872 Rubber Pads, *for 52115 and 52116*



Cutting Tool for 30mm Carbon Fiber Tube

CENTRI

731000125 Cutting Tool, *for 30mm Carbon Fiber Tube*



Tools

Hex Key

CENTRI

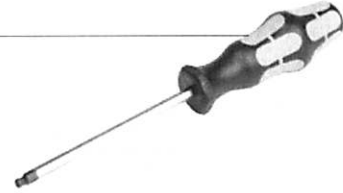
- 731000123 Hex Key, for 9mm Locking Screw
 731000122 Hex Key, for 6mm Locking Screw



Hex Screwdriver

CENTRI

- 731000120 Hex Screwdriver, for U-30/G-2 Adjustment Screws, 4mm Hex
 731000121 Hex Screwdriver, for U-30/G-2 Fixering Screws, 3mm Hex

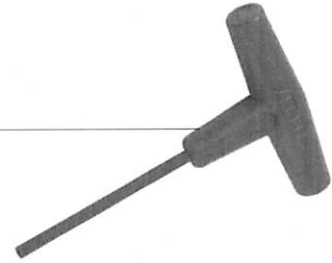


Wrenches

HOSMER

- High quality vanadium steel metric wrench

- 51293 Allen Wrench, 4mm
 51352 Allen Wrench, 5mm
 51353 Allen Wrench, 3mm



Torque Screwdriver

CENTRI

- Bits sold separately

- 731000153 BOA Torque Screwdriver, 1.6Nm
 731000155 1/4" Bits 4mm Hex, for BOA Torque Screwdriver



Torque Wrench

CENTRI

- 731000150 BOA Torque Wrench, 15Nm



Heat Tools

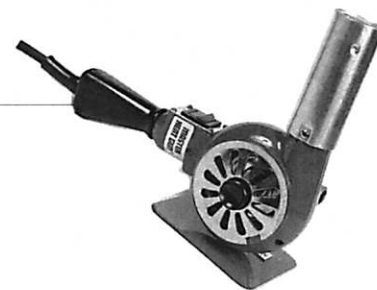
Mamco Heat Gun

FILLAUER

- Compact, portable, economical

224063 Heat Gun, Mamco, Model HG-301A (350-500°), 110V

224089 Heat Gun, Mamco, Model HG-501A (500-750°), 110V



Mamco Heating Element

FILLAUER

- For Mamco heat guns

224071 Heating Element #HAS-041K, for Model HG-301A

224097 Heating Element #HAS-011K, for Model HG-501A



Mite Heat Gun

FILLAUER

- Rugged, light, versatile
- Includes one silver element and deflector

224006 Heat Gun, Mite, Model #10008



PVA Electric Sealer

HOSMER

- Teflon covered heat sealer
- Using small brush, moisten PVA seam to be joined; then seal
- Adjustable heat
- 115 volt, 150 watt (AC only)

51781 PVA Sealer, 115v, PVAS-100

51783 PVA Sealer, 230v, PVAS-200

51782 Teflon Boot, PVAS-101



Mite Heating Element Nozzles

FILLAUER

- For Mite heat guns

224014 Nozzle, #20012, Blue (500° Outlet Temperature), 120 Volt

224022 Nozzle, #20013, Silver (650° Outlet Temperature), 120 Volt

224030 Nozzle, #20014, Black (800° Outlet Temperature), 120 Volt



Mite Heat Gun Adapters

FILLAUER

- For Mite heat guns

224048 Deflector Adapter, #40060

224055 Pin Point Adapter, #40061



Heat Tools

Eddy Heat Gun

HOSMER

- Light weight heat gun, 2 3/4lbs (1.25kg)
- Impact resistant Lexan 500 housing and handle
- Adjustable air intake regulator and toggle control switch
- Air volume is rated up to 27 c.f.m.
- Velocity measures up to 975 f.p.m.
- 50/60 cycle Motor
- 1 13/16" (4.6cm) nozzle opening
- May be hand held or bench mounted

50975 EP-3UL Heat Gun, 115V, 12 amp, (300°-500°), with Stand

50976 EP-3A Heat Gun, 230V, 5 amp, (300°-500°), with Stand

50977 EP-5UL Heat Gun, 115V, 14 amp, (300°-750°), with Stand

50978 EP-5A Heat Gun, 230V, 8 amp, (500°-750°), with Stand

50979 EP-7 Heat Gun, 115V, 19 amp, (750°-1000°), with Stand

REPLACEMENT PARTS:

50982 Carbon Brush, A1067

50980 Heating Element Kit for 50975, A1051

53967 Heating Element Kit for 50976, A1052

50981 Heating Element Kit for 50977, A1055

53965 Heating Element Kit for 50978, A1056

53966 Heating Element Kit for 50979, A1059



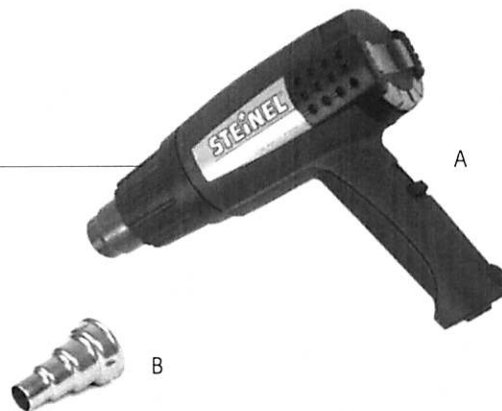
Steinel Heat Gun

FILLAUER

- Light Weight
- High Temp (1200°)
- Digital Read Out
- 4 Adjustable and Programmable Heat Settings
- Adjustable Air Flow

A. 34870 Steinel Heat Gun, Model HG2310LCD

B. 600360 14mm Reducer



"Hot Knife" Thermocutter

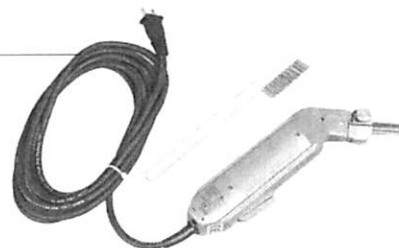
FILLAUER

- New improved model with temperature control

Zetz-9 Thermocutter for Plastics, 110 Volt

Zetz-9-240V Thermocutter for Plastics, 240 Volt

T3-50 Replacement Blades, 6 Per Pack



Blades and Knives

Slimknife™

FILLAUER

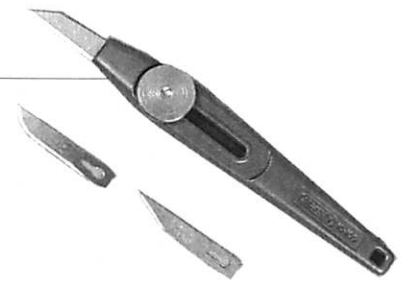
- Leather cutting, trimming plastic laminates, and other cutting operations
- Easy to change blades and store in handle
- Each Slimknife furnished with five different blades in hang-up pack with convenient reusable tray
- Specially designed to fit Stanley Slimknife and other knives of similar style, packaged in a hang-up card
- Sold per pack (three per pack)

10-109A Slimknife

SLIMKNIFE REPLACEMENT BLADES

11-113 2-1/8" Length

11-114 2" Length



Scarpas Knife

FILLAUER

220461 Scarpas Knife, *Small for Transtibial*

220460 Scarpas Knife, *Large for Transfemoral*



Surgical Scalpel

FILLAUER

800050 Scalpel Handle

800060 Blades, *Surgical Scalpel, Box (150 Count), #25, 2" Long*



Utility Knives

FILLAUER

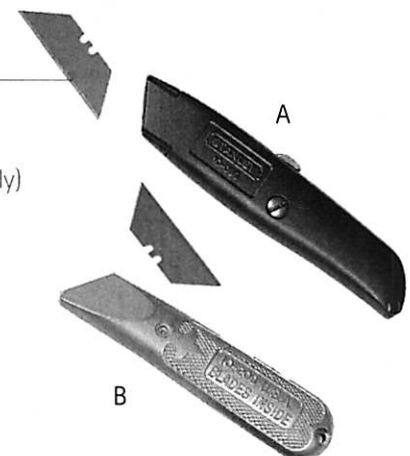
- Gray enamel finish
- Button projects and retracts blade to three positions: full, half, and one-quarter out (A only)

A. 10-099 Knife, with 4 Each #11-921 Heavy-Duty Retractable Blades

B. 10-199 Knife, with 4 Each #11-921 Heavy-Duty Non-Retractable Blades

REPLACEABLE BLADES

11-921 Heavy Duty Blade, 2-7/16x.025, 5 Per Pack



Blades and Knives

Bandage Scissors

FILLAUER

- Stainless steel
- German made scissors

- 5-514 Bandage Scissors, 5-1/2"
 5-516 Bandage Scissors, 7-1/4"
 5-550 Bandage Scissors, 8"
 5-568 Bandage Scissors, 8", *Heavy Duty*



Deburring Tool

FILLAUER

- 220321 Deburring Tool
 E-100 Deburring Tool, *Blade Only*



Cutting Tool

HOSMER

- Pocket size pylon cutter with parallel cut control feature
- Cuts all sizes up to 1-1/8" (2.9cm) diameter
- Pylon reamer inside handle

- A. 51355 Pocket Size Pylon Cutter
 B. 60739 Cutting Guide



Tube Cutter

FILLAUER

- Pocket size pylon cutter with parallel cut control feature
- Cuts all sizes up to 1-1/8" (2.9cm) diameter
- Comes with 2 extra cutting wheels

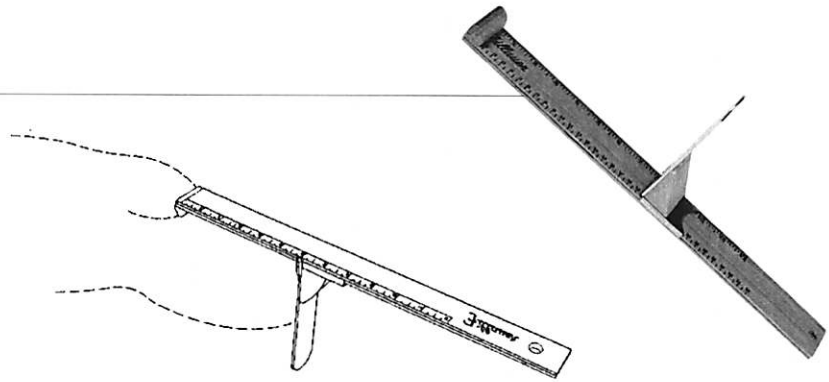
- 220310 Tube Cutter
 220311 Heavy Duty Replacement Wheel
 220312 Heavy Duty Replacement Wheel, *for Rigid Cutter*



Transtibial Length Gauge

FILLAUER

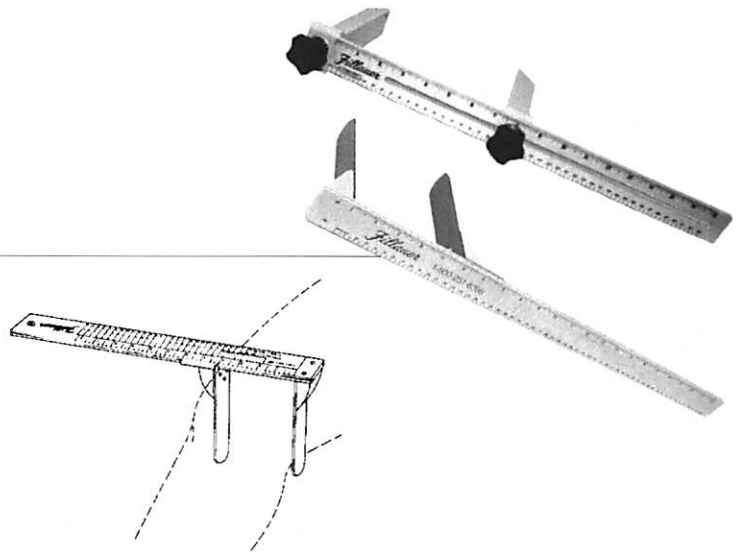
- Measures in inches or metrics

220145 Transtibial Gauge

ML Gauge and AP-ML Gauge, (Original and Universal)

FILLAUER

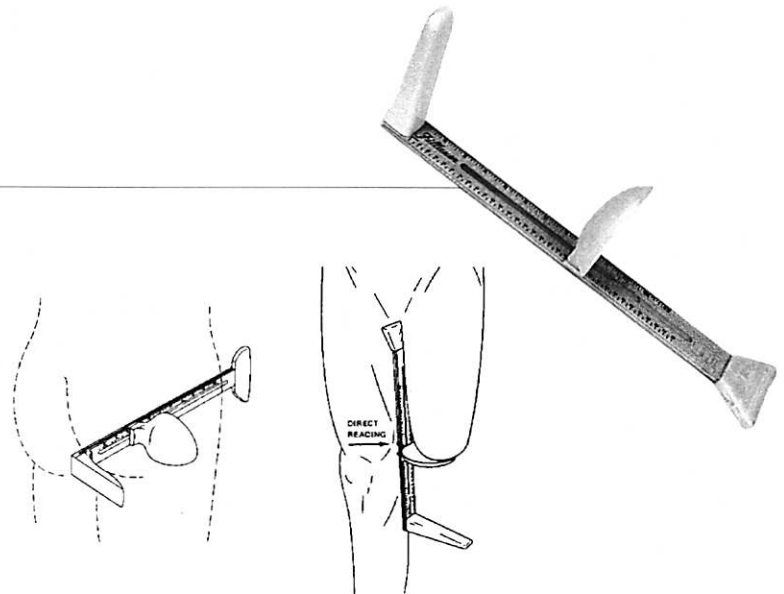
- Anatomical measuring tool
- Measure in inches and metrics

220336 Universal Gauge, with Level, 17"**220335** Original AP-ML Gauge, New Design, 22"

Transfemoral Length Gauge

FILLAUER

- Measures in inches or metrics

220137 Transfemoral Length Gauge

Casting

Cast Mandrels

FILLAUER

- 259056 Aluminum Cast Mandrel, 1-3/4"x7-1/2"
- 259060 Aluminum Cast Mandrel, 2-3/8"x7-1/2"
- 259053 Aluminum Cast Mandrel, 2-3/8"x10"
- 259050 Aluminum Cast Mandrel, 2-3/8"x15"



Cast Cutter, Pneumatic

FILLAUER

- 226228 Pneumatic Cast Cutter (*Cast Cutter Blade Not Included*)

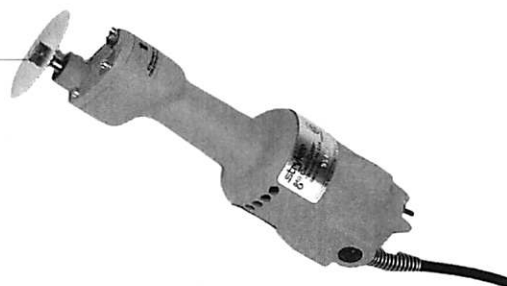


Cast Cutter, Stryker

FILLAUER

- Manufacturer's descriptive literature available on request
- Oscillating action quickly cuts through plaster
- Trim plastic sockets and Ortholen splints

- 226225 Cast Cutter (Stryker), Model 840, 115 Volt
- 226226 Cast Cutter (Stryker), Model 841, 230 Volt
- 226233 Cast Cutter Blade, 2"
- 226258 Cast Cutter Blade, 2-1/2"

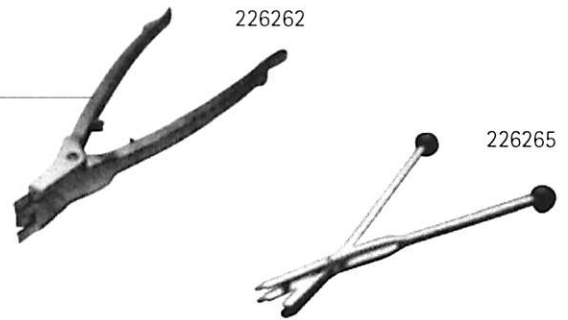


Casting

Cast Spreaders

FILLAUER

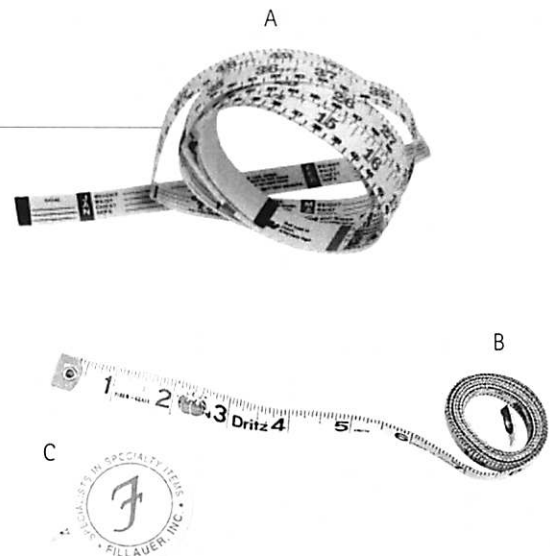
- For the simple removal of larger body casts
- Unique interdigitated teeth widen the cut and will not pinch
- Four-inch jaw opening
- Stainless steel construction for durability
- Endo knobs for a reinforced grip

226262 Cast Spreader, *Small #82*226265 Cast Spreader, *Large #83*

Measuring Tapes and Rulers

FILLAUER

- A. 220331 Disposable Measuring Tape, 10'
- B. 220329 Measuring Tape (Inch/Metric), PVC-Coated, Fiberglass 60" Length in Black, 150cm Length in Red
- C. 220328 Measuring Tape (Inch/Metric), Fiberglass Retractable, 60"/150cm.



Drill Holder Assembly

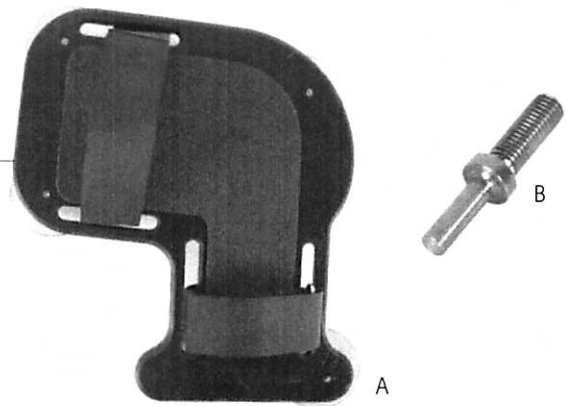
FILLAUER

- Allows hands-free use of drill to make adjustments to prosthetic limbs
- Practical for out-of-office visits
- Two straps to hold drill in place
- Four section cups hold drill assembly onto workplace surface
- Included one long and one short mandrel with 1/2" thread

A. 225020 Drill Holder Assembly

Includes Base Plate, 1 Large Velcro Strap and 1 Small Velcro Strap, and 1 Small Mandrel and 1 Large Mandrel

B. 225025 Short Mandrel



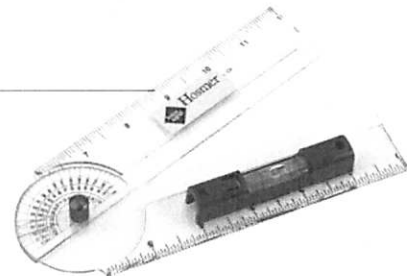
Casting

Goniometer

HOSMER

- A combination level and adjustable protractor
- Useful when obtaining measurements that are relative to a horizontal plane

51848 Goniometer

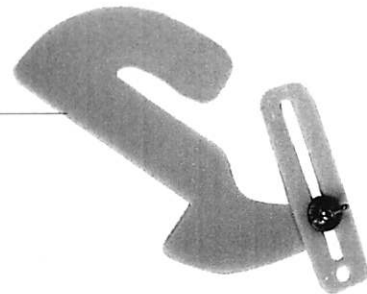


Casting Fixture Gauge

FILLAUER

- For use with the Pelvic Casting Fixture

220355 Casting Fixture Gauge



Surform™ Files

FILLAUER

- For fast shaping of plaster cast
- Also can be used on wood and plastics

21-297 Round File, *Complete*

21-295 Flat File, *Complete*

21-399 Pocket Plane, *Flat*



SURFORM REPLACEMENT BLADES

21-291 Round Blade

21-293 Flat Blade

21-299 Half Round Blade

Supplies

Rubber Mixing Bowl

FILLAUER

226050 Rubber Mixing Bowl Set

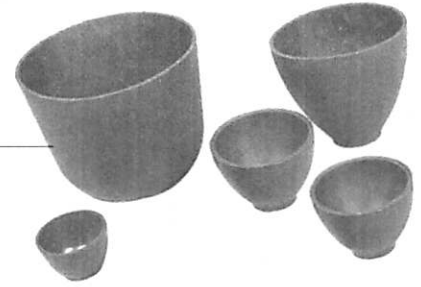
Set of 5 Includes:

226068 Rubber Mixing Bowl, 4oz, Each

226084 Rubber Mixing Bowl, 1-1/4 Pint, 2 Each

226092 Rubber Mixing Bowl, 1-1/2 Quart, Each

226100 Rubber Mixing Bowl, 5 Quart, Each

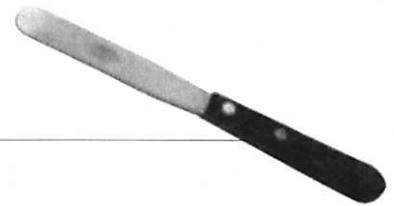


Rounded Blade Spatula

FILLAUER

220059 Rounded Blade Spatula 3/4" x 4" Small

220063 Rounded Blade Spatula 1" x 6" Large

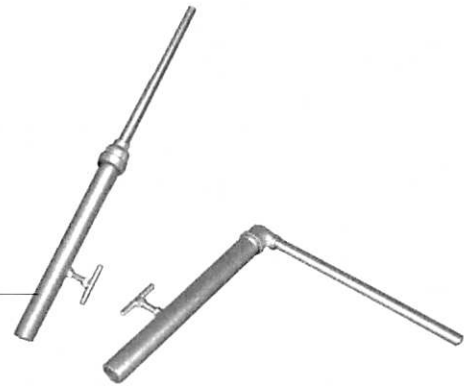


Drape Forming Adapter

FILLAUER

227497 Drape Forming Adapter, *Straight*

227495 Drape Forming Adapter, *Angled*



PVA Bag Pattern, Adjustable

FILLAUER

- Pattern allows making any shape or length of PVA bag
- Base and angle rod are felt covered aluminum
- Adjusts in one-inch increments, up to 13" (33cm) width

51779 PVA Bag Pattern, *PVAJ-100*



Supplies

Platen

FILLAUER

- 227354 9" Platen
- 227347 12" Platen



Heavy Duty Scissors

FILLAUER

- 600350 TFC Scissors



Thermal Gloves

FILLAUER

- 227008 Thermal Gloves



PDQ Oven Gloves

OTS

- Extended Length

- GLOVE PDQ Oven Gloves



Electronic Scale

FILLAUER

- 227100 Portable Electronic Scale,
*Battery-Powered, 1000g (35oz) Capacity
by 2 Gram (0.1oz) Increments, Tare to Capacity*



Equipment, Tools & Accessories

Fillauer
COMPANIES

Fillauer LLC • 1.800.251.6398

Centri® • +46 8 505 332 00

Hosmer • 1.800.827.0070

OTS Corp. • 1.800.221.4769

www.fillauercompanies.com